

NuraTrue Pro

User Manual



Model: T0PB

FCC ID: 2ANIN-T0PB

HVIN: NURAT0PBL, NURAT0PBR

Power: 5V dc, 0.8A

Wireless frequency band: 2400-2483.5 M Hz

Manufacturer: NURA OPERATIONS PTY LTD, PO BOX 95, BRUNSWICK, VIC 3056, AUSTRALIA

Contents

NuraTrue Pro safety information	2
Getting started	3
What's in the box	3
Fitting your NuraTrue Pro	4
Turning your NuraTrue Pro on/off	5
Downloading the nura app	5
Connecting your NuraTrue Pro with Bluetooth®	5
Swapping between Bluetooth® devices	5
Personalising your NuraTrue Pro	6
Updating your NuraTrue Pro	6
Your NuraTrue Pro	7
Charging your NuraTrue Pro	7
Checking your NuraTrue Pro battery	7
Using the Touch Buttons	8
Making and receiving voice calls with your NuraTrue Pro	8
Multipoint - Connecting your NuraTrue Pro to multiple devices	8
Computers	8
TVs	9
Changing your NuraTrue Pro Ear Tips	9
Cleaning the NuraTrue Pro	9
The nura app	10
nura app features	10
Choosing your level Immersion	10
Customising the NuraTrue Pro Touch Buttons	10
Adjusting your Active Noise Cancellation (ANC)/ Social Mode	11
Changing the NuraTrue Pro voice language	11
Switching, adding and deleting hearing profiles	11
Enabling Spatial Audio	12
Enabling Lossless Audio	12
Enabling High-Gain mode	12
Enabling Pro EQ	12
Enabling Multipoint	13
Enabling Music Takeover	13
Changing Mode	13
Troubleshooting	14
Resetting your NuraTrue Pro	14
Charging troubleshooting	14
Personalisation troubleshooting	14
nura App troubleshooting	14
Bluetooth troubleshooting	15
Voice calls troubleshooting	15
Sound Quality troubleshooting	15
Touch Buttons troubleshooting	16
Need more help?	16
Warranty	16
Compliance	17

NuraTrue Pro Safety Information

**Read this manual before using the NuraTrue Pro for the first time.
Keep this manual handy for future reference.**



The NuraTrue Pro has been designed and tested for safety and comfort, but please note: exposure to any noise of 85 Decibels (dB) or above (approximately the same volume as a food blender) can cause gradual hearing loss. Due to the clarity and noise cancelling of the NuraTrue Pro, you won't need to listen to your music as loudly as with many conventional headphones.

Monitor your use. Hearing loss is a function of loudness versus time — the louder the volume, the less time you can be exposed to it. The quieter the volume, the longer you can listen. For example, 8 hours at 85 dB causes as much damage as 4 hours at 88 dB, 2 hours at 91 dB, or just 15 minutes at 100 dB.

Only use the NuraTrue Pro with the volume set at a comfortable, moderate level.

Do not listen to music at a high volume for any extended period.

Be aware that reminders or warning sounds, i.e. alarms, message tones and incoming calls, might vary while using the NuraTrue Pro.

If you experience a warming sensation or loss of hearing, remove the NuraTrue Pro from your head immediately and contact nura support.

If the NuraTrue Pro emits a loud or unusual noise, stop using it and contact nura support immediately.

Due to noise-cancelling technology, do not use the NuraTrue Pro at any time when an inability to hear may present a danger to yourself or others. For example, while driving, riding a bicycle, in a construction site, or in or near traffic.

If you're using the NuraTrue Pro for phone calls while driving, then use caution and follow applicable laws regarding mobile phone and headphone use. Some jurisdictions impose specific limitations such as using a single earpiece while driving.

Use only certified nura cables to charge the NuraTrue Pro.

Charging the NuraTrue Pro should be done only by following the instructions in this user manual.

Do not make unauthorised alterations to this product. Any attempt to do so will void the warranty.

CAUTION the battery shall not be exposed to excessive heat such as sunshine, or the like.

DISPOSE OF USED BATTERIES ACCORDING TO THE INSTRUCTIONS

Disposal of a battery into fire or a hot oven, or mechanically crushing or cutting of a battery, can result in an explosion.

Leaving a battery in an extremely high temperature surrounding environment can result in an explosion or the leakage of flammable liquid or gas.

A battery subjected to extremely low air pressure may result in an explosion or the leakage of flammable liquid or gas.



Contains small parts which may be a choking hazard. Not suitable for children under age 3.



This product contains magnetic material. Consult your physician on whether this might affect your implantable medical device.



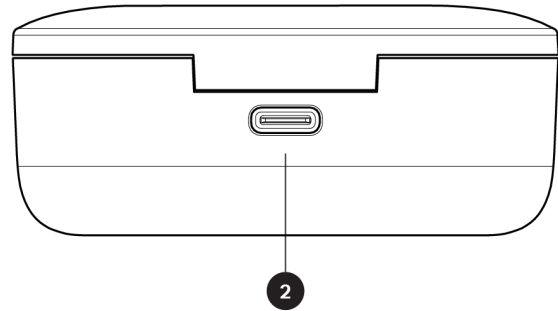
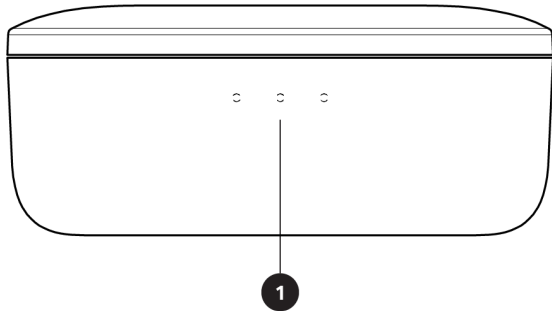
Li-ion

Removal of the rechargeable lithium-ion battery in this product should be conducted only by a qualified professional.

Getting Started

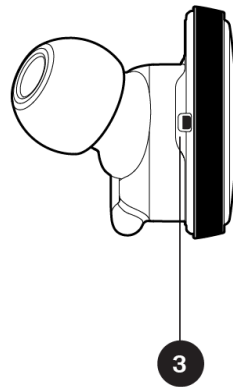
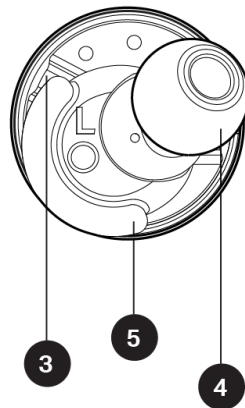
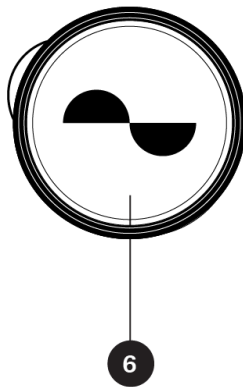
Charging case

1. LED charging light
2. USB-C charging port



NuraTrue Pro

3. Voice Call Microphones (x2)
4. Removable ear tip
5. Removable wing attachment
6. Touch Buttons



What's in the Box

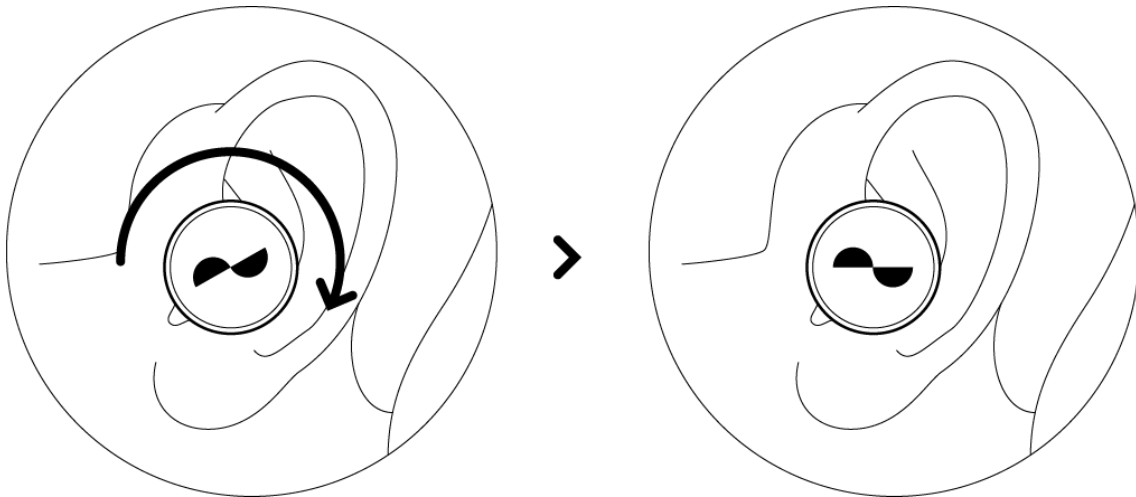
Your NuraTrue Pro will come with:

1. NuraTrue Pro
2. USB-A to USB-C charging cable
3. Charging Case
4. 4 x Multi-Sized silicone earbuds
5. 1 x Foam tips
6. 2 x Wing attachments

Fitting your NuraTrue Pro

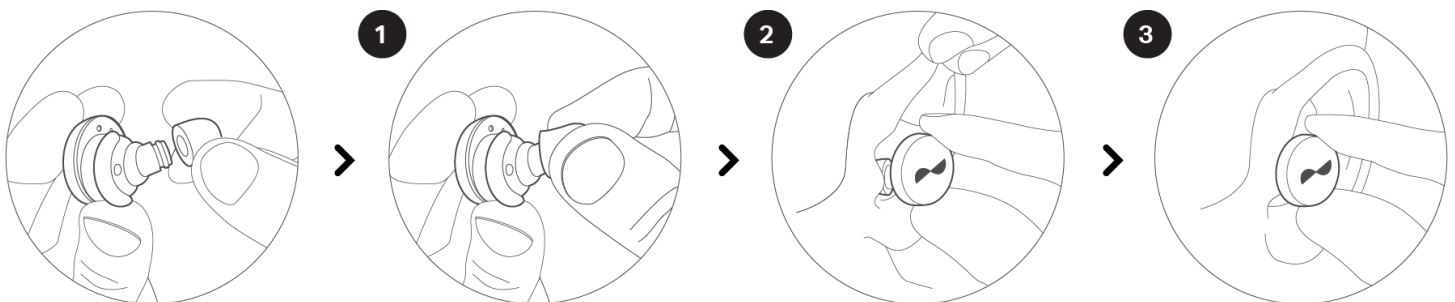
Put your NuraTrue Pro on

1. Left and Right - Hold the ear bud marked L in your left hand, and the ear bud marked R in your right hand
2. Adjust the fit - Insert the earbuds into your ears and slightly twist backwards to find the right fit. Your NuraTrue Pro should feel secure and comfortable.
3. To ensure your NuraTrue Pro fits comfortably, try the different sized ear tips and wing attachments to find what works best for you.



If you're using foam tips, you'll need to:

1. Compress the foam tip by rolling your fingers.
2. Pull your ear back. Insert the entire foam tip into your ear and slightly twist backwards.
3. Hold in place for 15-30 seconds for foam to expand and create a seal.



Turning your NuraTrue Pro on/off

Your NuraTrue Pro turns on automatically when you put it in your ears.

To Power On: Remove your NuraTrue Pro from the charging case.

To Power Off: Place your NuraTrue Pro into the charging case.

Auto-pause behaviour: By default, your NuraTrue Pro will pause playback when removed from your ears and resume when placed back on. Your NuraTrue Pro will automatically power off after 60 seconds if one or both earbuds have been removed from your ears. You can customise the auto-pause behaviour within the nura app.

Downloading the nura App

To set up your NuraTrue Pro, you will need to personalise it via the nura app. You can download the nura app from:

- iOS — the App Store
- Android — Google Play

nura app system requirements:

- iOS — iOS 9.3+ and Bluetooth® 4
- Android — Android 5.0+ and Bluetooth® 4

Connecting your NuraTrue Pro with Bluetooth®

You will need to connect your NuraTrue Pro to your mobile device via Bluetooth to access the nura app and personalise your NuraTrue Pro.

To connect your NuraTrue Pro via Bluetooth for the first time:

1. Remove your NuraTrue Pro from the charging case and place them in your ears to turn them on. Your NuraTrue Pro will automatically enter discoverable mode and be pairable if it has not been previously connected to a device.
2. On your mobile device go to **Settings > Bluetooth**
3. Select **NuraTrue Pro XXX**. XXX is the NuraTrue Pro unique pairing number.

Swapping between Bluetooth® Devices

You can pair to your NuraTrue Pro by entering discoverable mode. Your NuraTrue Pro will automatically enter discoverable mode and be pairable for 2 minutes when removed from the charging case if it has not been previously connected to a device. Alternatively, you can also enter discoverable mode by tapping and holding the touch buttons on both earbuds simultaneously for 2 seconds, or via Device Settings in the Nura app.

When your NuraTrue Pro is in discoverable mode, select NuraTrue Pro XXX in the Bluetooth settings of any device you would like to switch to. A voice prompt will announce "Bluetooth



device changed." You have now swapped your connection. Your NuraTrue Pro will remember up to 8 devices, allowing you to easily switch between them without having to re-enter discoverable mode after initial pairing. Simply select NuraTrue Pro XXX in the Bluetooth menu of any previously paired device to reconnect.

Personalising your NuraTrue Pro

Before you can start using your NuraTrue Pro, you will need to create your unique hearing profile. Your NuraTrue Pro automatically learns how you hear by running a quick hearing test.

Before personalising your NuraTrue Pro:

1. Download the nura app.
2. In the nura app, tap **Create an account** and enter your details.
If you already have a nura account, then tap **Log in** instead.
3. Select **NuraTrue Pro**.
4. Pair your NuraTrue Pro with your mobile device.

Personalising your NuraTrue Pro:

1. In the nura app, tap **Begin** to begin personalisation.
2. Adjust your NuraTrue Pro earbuds by rotating them back and forth until you see two constant ticks on the nura app screen. Once you have a good fit, personalisation starts and takes about a minute.
3. Tap **Personalised** to hear music with your hearing profile applied.
4. Tap the Social Mode button to hear your surroundings.
5. Customise your NuraTrue Pro touch buttons. You can also do this later via Settings.

Your NuraTrue Pro is now personalised with your unique hearing profile.

Updating Your NuraTrue Pro

In order to access the latest and greatest features for your NuraTrue Pro make sure you update:

Your nura App

To update the nura App, open the App Store (for iOS devices) or Google Play (for Android devices) to check for available updates.

Your NuraTrue Pro

Every now and then, we will add significant improvements to the NuraTrue Pro with a firmware upgrade. These will be either automatically applied to your device or you may need to perform the below.

To update your NuraTrue Pro firmware:

1. Open the nura app.
2. A message will appear that an update is available, tap **Start update**, or, Tap **Menu > Device Settings > Software update > Start update**
3. Your upgrade will begin.

Your NuraTrue Pro

This section contains everything you need to know about using your NuraTrue Pro.

Charging the NuraTrue Pro and Case

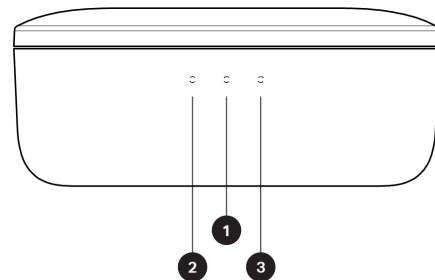
The NuraTrue Pro battery provides 8 hours of wireless use, and up to 24 hours of use when using the charging case.

- **To charge your NuraTrue Pro**, place them in the case and close the lid. Your NuraTrue Pro shuts down and charges when placed inside the case. Your case holds multiple full charges for your NuraTrue Pro so you can charge on the move. To keep your NuraTrue Pro charged, put them in the case when you're not using them. The earbuds take approximately two hours to fully charge via the charging case.
- **To charge your case via USB**, connect the case to the included USB-C charging cable and plug it into a computer or wall adapter. The LED lights will pulse when charging. Once fully charged, the LED lights will turn green. The case takes approximately one hour to fully charge via the charging cable.
- **To charge your case via wireless charging**, place the charging case on the wireless charging pad with the nura logo facing upward. When charging, refer to the operating instructions supplied with the wireless charging pad. The case takes approximately two hours to fully charge via a compatible wireless charging pad.

Checking the NuraTrue Pro Battery and Case Battery.

The case has 3 RGB LEDs which turn on for 4 seconds when opening the lid. They indicate the level of charge of:

1. Case
 2. Left earbud
 3. Right earbud
- Red LED = battery below 30%
 - Yellow LED = battery between 30% - 70%
 - Green LED = battery above 70%



You can check the exact battery level of your NuraTrue Pro via the nura app: while wearing your NuraTrue Pro, open the nura app and check the battery indicator in the top-right corner of the screen.

A voice prompt will announce “battery low” when your NuraTrue Pro needs charging.
A voice prompt will announce “battery critical” when your NuraTrue Pro is about to power off.

Using the NuraTrue Pro Touch Buttons

The NuraTrue Pro has touch buttons on each side that you can tap to perform useful functions.

You can customise your touch buttons in the nura app:

1. Open the nura app with your NuraTrue Pro connected via Bluetooth to your device.
2. Tap on the Menu icon at the top left (≡).
3. Tap on **Device settings > Configure Touch Buttons**.
4. Choose the Tap controls you wish to adjust

Tap/Double Tap/Triple Tap/Double tap and hold gestures

- Enable/disable social mode
- Enable/disable social mode and pause
- Voice assistant
- Play/Pause
- Play/Pause music & Answer calls/Hang-up calls
- Play/Pause music & Answer calls
- Next Track
- Previous Track
- Enable/disable Immersion Mode
- Increase immersion level
- Decrease immersion level
- Volume up
- Volume down
- Enable/disable Spatial

Tap and hold

Tap and hold both touch buttons for 2 seconds to enter discoverable mode.

Tap and hold one of the touch buttons for 10 seconds to perform a hard reset on the corresponding earbud. Earbuds reset independently. To reset both sides, tap and hold both touch buttons for 10 seconds, or return them to the charging case.

Tap and hold touch button gestures are not user configurable.

Making and receiving Voice Calls with your NuraTrue Pro

The NuraTrue Pro includes highly sensitive microphones for enhanced voice call quality. When your NuraTrue Pro is connected via Bluetooth, you can answer voice calls:

- Directly on your phone;
- Or by using the NuraTrue Pro Touch buttons, if the answer call function has been assigned to a touch button within the nura app.

Multipoint - Connecting your NuraTrue Pro to multiple devices

Your NuraTrue Pro can be connected to two devices simultaneously . To connect to a second device:

1. Enter discoverable mode by tapping and holding both Touch Buttons, or disconnect

- from the first device
2. Select NuraTrue Pro XXX in the Bluetooth settings of the second device you want to connect to. You will hear “Bluetooth connected”.
 3. Reconnect to the first device by selecting NuraTrue Pro XXX in the Bluetooth settings. You will hear “multipoint connected”.

Computers

Mac

1. On your Mac, choose Apple menu > System Preferences, then click Bluetooth.
2. Select NuraTrue Pro XXX on the device list.

PC

1. Click the Bluetooth icon on your computer’s taskbar.
2. From Bluetooth & other devices, click Add Bluetooth or other device.

TVs

Audio configurations on TVs vary. Check your TV’s connectivity is compatible with NuraTrue Pro connectivity.

Changing the NuraTrue Pro Ear Tips

The NuraTrue Pro comes with five ear tip sizes. Try all the ear tip sizes to find the ones that best fit your ears. You’ll know you have a good seal if the sound around you quietsens when you put on your NuraTrue Pro.

To remove an ear tip gently pull with your fingers at the base of the ear tip, where it is attached to the NuraTrue Pro.

To attach an ear tip, push the new ear tip all the way down over the opening and onto the NuraTrue Pro.

Changing the NuraTrue Pro Wings attachments

The NuraTrue Pro comes with two wing sizes/types.

Try both wing sizes to find the ones that best fit your ears. The NuraTrue Pro can also be used without the wings.

To change the NuraTrue Pro wings:

1. Gently pull the wing to remove.
2. Push the new wing onto the NuraTrue Pro.
3. Check the new wing is pushed on all the way.
4. To check the wings are fitted correctly, the hole on the wing should be aligned with the notch on your NuraTrue Pro. The NuraTrue Pro should fit comfortably in your ear and create a seal. You will know you have a good seal if the sound around you quietsens.

Cleaning the NuraTrue Pro

Your NuraTrue Pro needs cleaning from time to time.

Please note: never use alcohol, cleaning solvents, or strong detergents when cleaning the NuraTrue Pro.

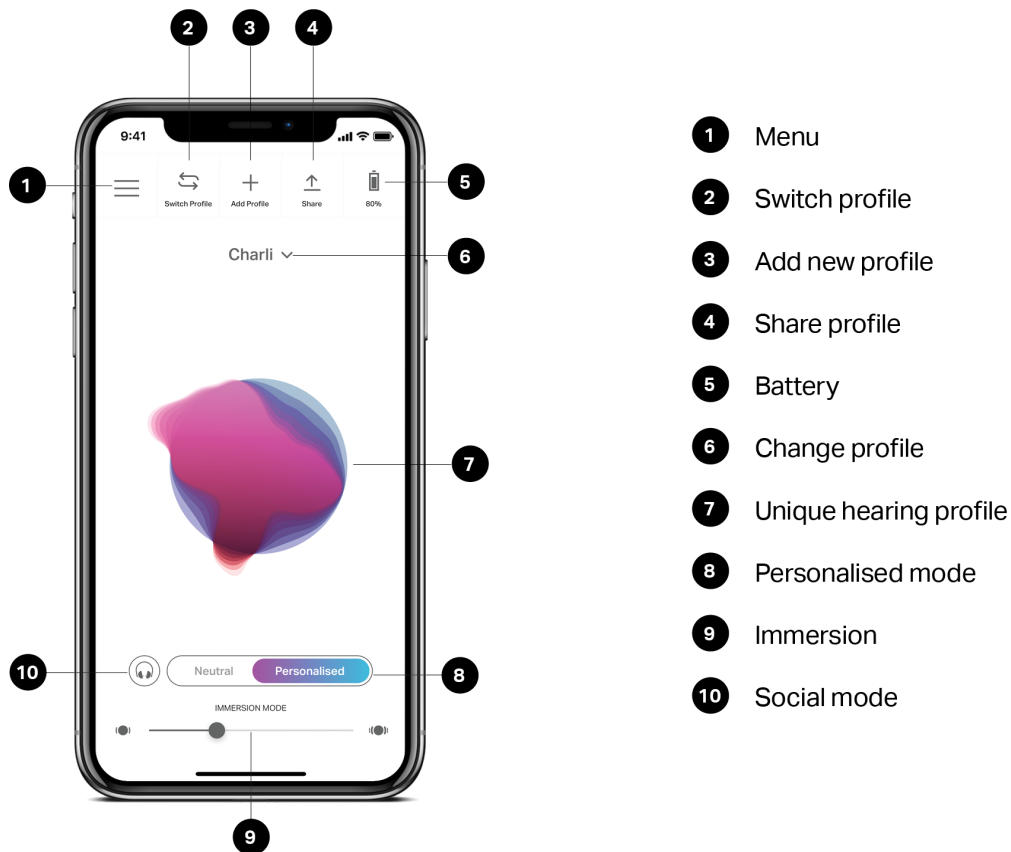
To clean the NuraTrue Pro ear tips:

1. Remove the ear tips, and wash them with water and a mild detergent.
2. Rinse and dry the ear tips and set aside.
3. Reattach the ear tips.
4. Wipe the NuraTrue Pro with a soft, damp cloth.

The nura App

Read on for everything that you need to know about the nura app.

With the nura app, you can adjust the level of Immersion, change or add Hearing profiles, check battery status, enable/disable ANC and Social Mode, and more.



- 1 Menu
- 2 Switch profile
- 3 Add new profile
- 4 Share profile
- 5 Battery
- 6 Change profile
- 7 Unique hearing profile
- 8 Personalised mode
- 9 Immersion
- 10 Social mode

Choosing the Level of Immersion

1. Open the nura app.
2. Use the **Immersion** slider to choose your preferred level of bass.

Please note: always set your Immersion to a comfortable, moderate level when using your NuraTrue Pro for an extended period of time.

Active Noise Cancellation (ANC) and Social Mode

Active Noise Cancellation reduces outside noise so you can focus on your music. Social Mode passes outside sound into your NuraTrue Pro so you can hear conversations and your surroundings. ANC is enabled by default.

You can toggle between ANC and Social Mode via the Touch Buttons or in-app:

Touch Buttons

You can configure the Touch Buttons to enable/disable Social Mode in the Nura app. This will toggle between Social Mode and ANC.

In-app

Tap the Social Mode button on the homepage of the nura app.

Enabling/disabling Social Mode & ANC:

1. Open the nura app with your NuraTrue Pro connected via Bluetooth to your device.
2. Tap on the Menu icon at the top left (≡).
3. Tap on **Device settings**.
4. Scroll down to **Enable Social Mode & ANC (Active Noise Cancellation)**
5. Tap on the button to completely enable or disable Social Mode & ANC.

Changing the NuraTrue Pro Voice Language

The NuraTrue Pro voice guides you through personalising your NuraTrue Pro, announces the battery level and identifies connected devices. To change the language:

1. Open the nura app.
2. Tap on the Menu icon at the top left (≡).
3. Tap on Device settings > Change voice language.
4. Choose your preferred language.
5. To confirm the change, tap Yes.

Please note: it takes approximately 10 minutes for the voice language to change. The NuraTrue Pro needs to install new software to change your language.

Switching, adding and deleting Hearing profiles

You can store up to three hearing profiles on your NuraTrue Pro at a time.

Switching profiles:

1. Open the nura app.
2. Tap **Switch profile** on the nura app homepage at the top left.
3. Tap the hearing profile you'd like to switch to.

Adding a hearing profile:

1. Open the nura app.
2. Tap **Add profile** on the nura app homepage at the top centre.
3. If you own the NuraTrue Pro you are using, select **Owner**. If you are using someone else's NuraTrue Pro, select **Another Person**.
4. Follow the app prompts to add your new hearing profile.

Deleting a hearing profile:

1. Open the nura app.
2. Tap on the Menu icon at the top left (≡).
3. Tap on **Device Settings**. Scroll down and tap on **Delete Hearing profile**.
4. Select the hearing profile you'd like to delete.
5. The nura app confirms your hearing profile has been deleted.

Lossless Audio & Audio Codecs

Your NuraTrue Pro will automatically use the highest quality audio codec that is supported by the connected device. To experience Lossless Audio over Bluetooth, simply connect your NuraTrue Pro to a source device that supports Qualcomm aptX Lossless. Please check the manual of your source device for compatibility.

NuraTrue Pro supports the following codecs:

- aptX Lossless (44.1kHz/16-bit)
- aptX Adaptive (up to 96kHz/24-bit)
- aptX Classic
- AAC
- SBC

Enabling Spatial Audio

Spatial audio allows you to experience an expanded soundscape that includes all the spatial cues of the original stereo content as if it were coming from a pair of high-end studio monitors. Spatial audio does not have any head-tracking capabilities, but it can be used with any stereo bluetooth source.

You can enable Spatial Audio via the Touch Buttons or in-app:

Touch Buttons

You can assign Spatial Audio to the Tap function on either side by customising the Tap functions within the nura app.

In-app

Tap the Spatial Audio button on the homepage of the nura app OR:

1. Tap on the Menu icon at the top left (≡).
2. Tap on **Device settings**.
3. Scroll down to **Enable Spatial Audio**.
4. Tap on the setting to toggle it on or off.

Enabling High Gain Mode

High-gain mode allows you to increase the volume output of your NuraTrue Pro by +6db

Turning High Gain Mode Off/On:

1. Open the nura app with your NuraTrue Pro connected via Bluetooth to your device.

2. Tap on the Menu icon at the top left (≡).
3. Tap on **Device settings**.
4. Scroll down to **High Gain Mode**.
5. Tap on the setting to toggle it on or off.

Enabling Pro EQ

Pro EQ allows for manual fine tuning of your hearing profile via the nura app, simply press the Pro EQ icon and adjust the 5 sliders.

Enabling Multipoint

In the Device Settings you can find which devices are paired to your NuraTrue Pro. If you do not want to use Multipoint you can turn it off in the Nura app:

1. Menu icon at the top left (≡).
2. Tap on **Device settings**.
3. Scroll down to **Multipoint**.
4. Tap on the setting to toggle it on or off

Enabling Music Takeover

This function controls the way you transition from Device 1 to Device 2 when you are using Multipoint.

By default your NuraTrue Pro is set to “Music Takeover” which allows you to switch from Device 1 to Device 2 by pressing play on the Device 2 and vice versa.

You can turn this setting off in the nura app.

When “Music takeover” is off you will have to pause Device 1 before being able to play on Device 2.

You can turn Music Takeover off in the Nura app:

1. Menu icon at the top left (≡).
2. Tap on **Device settings**.
3. Scroll down to **Music Takeover**.
4. Tap on the setting to toggle it on or off

Changing Mode

Your NuraTrue Pro has 2 setting preset modes to select from:

1. **Performance:** Multipoint enabled, ANC/social mode enabled, Spatial Audio enabled
2. **Low Power:** Multipoint disabled, ANC/social mode disabled, Spatial Audio disabled

Performance mode is enabled by default.

You can switch to Low Power mode in the nura app:

1. Menu icon at the top left (≡).
2. Tap on **Device settings**.
3. Scroll down to **Mode**
4. Tap on the setting to toggle it on or off

Troubleshooting

If you're ever having trouble with your NuraTrue Pro, read the following troubleshooting.

Resetting your NuraTrue Pro

Device Reset

1. Hold down the touch buttons on both sides of the NuraTrue Pro for 10 seconds to reset.

Factory Reset

1. Open the nura app.
2. Tap **Menu > Device settings > Perform Factory Reset**

Note: this will delete your hearing profiles.

If Your NuraTrue Pro Won't Charge

- Make sure you're charging with the NuraTrue Pro USB-C cable only.
- If you're trying to charge with a computer, then try using a different USB port or a wall charger.
- If you're trying to charge with a wall charger, then try charging with a computer.
- If you're attempting to charge with a USB hub, then make sure it's powered.

If Your NuraTrue Pro Won't Perform the Personalisation process

- Check our **Fitting your NuraTrue Pro** guide in **Getting Started** to ensure you have the correct fit.
- Make sure your NuraTrue Pro is sitting securely in your ears, remove any accessories which sit near your ears, and if you have long hair, tie it back.
- Check there are no obstructions blocking the mesh e.g. wax build up, packaging remnants etc. Any blockages will impact the ability of the NuraTrue Pro to detect your hearing.
- Make sure you're in a quiet place, sit still and try not to talk during personalisation.
- Check you have a stable internet and Bluetooth connection.
- Check your mobile device and the nura app have been updated to the latest version.

Further troubleshooting:

- 'Forget' your NuraTrue Pro from your device's Bluetooth settings, and pair again.
- Reset the device you are trying to connect to.
- Delete and reinstall the nura app.
- Reset your NuraTrue Pro.
- Clean your NuraTrue Pro.

If Your NuraTrue Pro Won't Connect to the nura App:

- Check your mobile device and the nura app have been updated to the latest version.
- Close and re-open the nura app.
- Check your NuraTrue Pro is connected to your mobile device with Bluetooth. You need to be connected with Bluetooth to use the nura app. Bluetooth will only activate when no cables are connected.
- Check your internet connection is stable.
- Delete the nura app, restart your mobile device and then reinstall the nura app.
- Reset your NuraTrue Pro.

If You're Having Trouble Connecting Your NuraTrue Pro via Bluetooth:

- Check your NuraTrue Pro and device are charged.
- Ensure your NuraTrue Pro and device are within 10 feet of each other.
- Check you're connecting to **NuraTrue Pro XXX**, not **NuraTrue Pro XXX [LE]**.
- **NuraTrue Pro XXX [LE]** is the NuraTrue Pro low-energy mode, which will automatically connect after you've connected to **NuraTrue Pro XXX**.
- Move away from other Bluetooth devices, microwaves and wireless routers to avoid interference.

Further troubleshooting:

- Re-start your device and try pairing your NuraTrue Pro with Bluetooth again.
- If you've previously paired your NuraTrue Pro with Bluetooth, then remove your NuraTrue Pro from your device's paired device list and try pairing again.
- Reset your NuraTrue Pro.

Bluetooth Cutting In and Out?

Bluetooth is designed for short distances, so you might experience some interference from time to time. To minimise Bluetooth interference, try the following:

- Move your paired device closer to the NuraTrue Pro
- Move your NuraTrue Pro and device away from other Bluetooth devices, microwaves and wireless routers.
- Update your NuraTrue Pro and mobile device to the latest versions.

If You're Having Trouble Making Calls With Your NuraTrue Pro:

Follow these steps if you're having trouble making and receiving phone calls, or calls via Skype, FaceTime or other calling apps.

- Check your NuraTrue Pro is connected with Bluetooth.
- Check that nothing is blocking your NuraTrue Pro microphones.
- The microphones are located on each side of your NuraTrue Pro.
- Disconnect your NuraTrue Pro from your device and then reconnect.

- Check your Bluetooth connection.
- Poor call quality can be caused by a poor Bluetooth connection.
- Reset your NuraTrue Pro.

If You're Having Trouble With Sound Quality:

To get the highest sound quality from your NuraTrue Pro:

- Use a lossless file format, such as AIFF, WAV or FLAC.
- Use a lossless streaming service, such as Tidal.
- If you're using Spotify or a similar streaming service, use the high-quality streaming option. Ensure to check the streaming quality options in the platform's settings.
- Check the device is not in Social Mode.
- If you're using MP3 or MP3-like files, use high-bitrate MP3, Ogg or AAC files. Or use minimum 256kbps (and preferably 320kbps) files with modern codecs.
- Personalise your NuraTrue Pro again.
The NuraTrue Pro uses sensitive microphones to personalise, so movements, outside noises and heavy breathing can affect your hearing profile.

If the Touch Buttons Aren't Working Correctly:

- Check your NuraTrue Pro touch buttons have been set-up correctly via the nura app.
- Reset your NuraTrue Pro.

Can't Find What You're Looking For? Try the Following:

- Check your NuraTrue Pro is charged.
- Check your mobile device and the nura app have been updated to the latest version.
- Check your Bluetooth is connected.

Further Troubleshooting

- Forget your NuraTrue Pro from your device's Bluetooth settings, and pair again.
- Reset the device which you are trying to connect to.
- Delete and reinstall the nura app.
- Reset your NuraTrue Pro.
- Clean your NuraTrue Pro.

Need more help?

Check our in-depth online help & support site nurasound.com/support

You can also contact us via email and live chat at nurasound.com/contact

Warranty

Your NuraTrue Pro is covered by a one-year limited warranty. Find out more at nurasound.com/returns

Compliance

nura® adheres to the certification requirements for various regions around the world. For a full list of certifications please visit:

www.nurasound.com/compliance



This equipment has been tested and found to comply with the limits for a Class B digital device, pursuant to Part 15 of the FCC Rules. These limits are designed to provide reasonable protection against harmful interference in a residential installation. This equipment generates, uses, and can radiate radio frequency energy and, if not installed and used in accordance with the instructions, may cause harmful interference to radio communications. However, there is no guarantee that interference will not occur in a particular installation. If this equipment does cause harmful interference to radio or television reception, which can be determined by turning the equipment off and on, the user is encouraged to try to correct the interference by one or more of the following measures:

- Reorient or relocate the receiving antenna.
- Increase the distance between the equipment and receiver.
- Connect the equipment into an outlet on a circuit different from that to which the receiver is connected.

Changes or modifications not expressly approved by nura® could void the user's authority to operate this equipment.

This device complies with Part 15 of the FCC Rules. Operation is subject to the following two conditions: (1) this device may not cause harmful interference, and (2) this device must accept any interference received, including interference that may cause undesired operation.

47 CFR § 2.1077 Compliance Information
Responsible Party – U.S. Contact Information:

nura USA Operations Inc.
1375 Broadway, 15th Floor, New York, NY 10018 USA
compliance@nurasound.com

FCC SAR statement

This equipment complies with FCC radiation exposure limits set forth for an uncontrolled environment. End user must follow the specific operating instructions for satisfying RF exposure compliance. This transmitter must not be co-located or operating in conjunction with any other antenna or transmitter.

The portable device is designed to meet the requirements for exposure to radio waves established by the Federal Communications Commission (USA). These requirements set a SAR limit of 1.6 W/kg averaged over one gram of tissue. The highest SAR value reported under this standard during product certification for use when properly worn on the head.

IC

IC Warning:

This device contains licence-exempt transmitter(s)/receiver(s) that comply with Innovation, Science and Economic Development Canada's licence-exempt RSS(s). Operation is subject to the following two conditions:

1. This device may not cause interference.
2. This device must accept any interference, including interference that may cause undesired operation of the device.

L'émetteur exempt de licence contenu dans le présent appareil est conforme aux CNR d'Innovation, Sciences et Développement économique Canada applicables aux appareils radio exempts de licence. L'exploitation est autorisée aux deux conditions suivantes :

1. L'appareil ne doit pas produire de brouillage;
2. L'appareil doit accepter tout brouillage radioélectrique subi, même si le brouillage est susceptible d'en compromettre le fonctionnement.

IC SAR statement:

This equipment complies with ISED radiation exposure limits set forth for an uncontrolled environment. End user must follow the specific operating instructions for satisfying RF exposure compliance. This transmitter must not be co-located or operating in conjunction with any other antenna or transmitter.

The portable device is designed to meet the requirements for exposure to radio waves established by the ISED. These requirements set a SAR limit of 1.6 W/kg averaged over one gram of tissue. The highest SAR value reported under this standard during product certification for use when properly worn on the head.

Cet équipement est conforme aux limites d'exposition aux rayonnements ISED établies pour un environnement non contrôlé. L'utilisateur final doit suivre les instructions spécifiques pour satisfaire les normes. Cet émetteur ne doit pas être co-implanté ou fonctionner en conjonction avec toute autre antenne ou transmetteur.

Le dispositif portatif est conçu pour répondre aux exigences d'exposition aux ondes radio établie par le développement énergétique DURABLE. Ces exigences un SAR limite de 1,6 W/kg en moyenne pour un gramme de tissu. La valeur SAR la plus élevée signalée en vertu de cette norme lors de la certification de produit à utiliser lorsqu'il est correctement porté sur le tête.

CE

The product is only guaranteed to comply with EN50332 in generic mode with immersion off with the volume limiter on. Depending on the hearing of the user, some combinations of hearing corrections and immersion setting may exceed EN50332 limits.

To prevent possible hearing damage, do not listen at high levels for long periods.

This device may be operated in all member states of the EU. Declaration for EU compliance: Operation Frequency Band/Max. RF power transmitted: 2400-2483.5 MHz.

Hereby, nura® Operations Pty. Ltd declares that the radio equipment type 'T0PB' is in compliance with Directive 2014/53/EU. The full text of the EU declaration of

conformity is available at the following internet address:
www.nurasound.com/nuratruepro/compliance

Focus on your safety and that of others if you use the headphones while engaging in any activity requiring your attention. You may remove the headphones or adjust your volume to ensure you can hear surrounding sounds, including alarms and warning signals.

Do not use the headphones if they emit any loud or unusual noise. If this happens, take the headphones off and contact nura customer service.

Do not submerge or expose the headphones to water, or wear while participating in water sports, e.g., swimming, surfing etc.

CAUTION

the battery shall not be exposed to excessive heat such as sunshine, fire or the like

DISPOSE OF USED BATTERIES ACCORDING TO THE INSTRUCTIONS

Disposal of a battery into fire or a hot oven, or mechanically crushing or cutting of a battery can result in an explosion.

Leaving a battery in an extremely high temperature surrounding environment can result in an explosion or the leakage of flammable liquid or gas.

A battery subjected to extremely low air pressure may result in an explosion or the leakage of flammable liquid or gas.

BT:

Frequency band: 2402MHz-2480MHz

Power: Left earbud: 6.82dBm

Right earbud: 6.64dBm

BLE:

Frequency band: 2402MHz-2480MHz

Power: Left earbud: 1.31dBm

Right earbud: 1.13dBm

WPC:

Frequency band: 108.0kHz-146.2kHz

Power: H-field: -16.11dBuA/m at 10m



NCC warning:

Without approval, the company, firm or user shall not change the frequency, increase the power or change the features and functions of the original design of the certified low-power radio frequency equipment. The use of low-power RF equipment shall not affect flight safety and interfere with legal communication; When interference is found, it should be stopped immediately, and it can only be used continuously when there is no interference. The above-mentioned legal communication refers to the radio communication that operates in accordance with the provisions of the Telecommunications Administration Law. Low-power RF equipment must endure the interference of legitimate communication or electric wave radiation motor equipment for industrial, scientific and medical use.

取得審驗證明之低功率射頻器材，非經核准，公司、商號或使用者均不得擅自變更頻率、加大功率或變更原設計之特性及功能。

低功率射頻器材之使用不得影響飛航安全及干擾合法通信；經發現有干擾現象時，應立即停用，並改善至無干擾時方得繼續使用。

前述合法通信，指依電信管理法規定作業之無線電通信。低功率射頻器材須忍受合法通信或工業、科學及醫療用電波輻射性電機設備之干擾。



This symbol means the product must not be discarded as household waste, and should be delivered to an appropriate collection facility for recycling. Proper disposal and recycling helps protect natural resources, human health and the environment. For more information on disposal and recycling of this product, contact your local municipality, disposal service, or the shop where you bought this product.



Hereby, nura® Operations Pty. Ltd declares that the radio equipment type “T0PB” is in compliance with Radio Equipment Regulations 2017. The full text of the UK declaration of conformity is available at the following internet address: www.nurasound.com/compliance.



Use of the Made for Apple badge means that an accessory has been designed to connect specifically to the Apple product(s) identified in the badge and has been certified by the developer to meet Apple performance standards. Apple is not responsible for the operation of this device or its compliance with safety and regulatory standards.

Apple, iPad, iPad Air, iPad pro, iPhone are trademarks of Apple Inc., registered in the U.S. and other countries.

The trademark “iPhone” is used in Japan with a license from Aiphone K.K.



The Bluetooth® word mark and logos are registered trademarks owned by Bluetooth SIG, Inc. and any use of such marks by nura® Operations Pty. Ltd. is under license.



Snapdragon Sound is a product of Qualcomm Technologies, Inc. and/or its subsidiaries.

Snapdragon and Snapdragon Sound are trademarks or registered trademarks of Qualcomm Incorporated.

Android, Google Play and the Google Play logo are trademarks of Google Inc.

The NuraTrue Pro is designed by nura® in Melbourne, Australia.
Made and assembled in China.

© 2022 nura® Pty. Ltd. No part of this work may be reproduced, modified, distributed or otherwise used without prior written permission.



R018-220267



R-NZ

