

PFF 2420

PFT 2515

PFT 2520

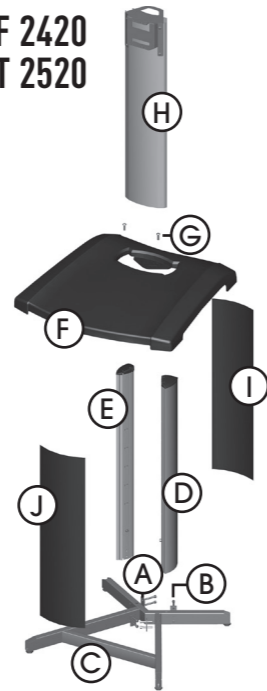
Mounting instructions  
 Montagevoorschrift  
 Instructions de montage  
 Montageanleitung  
 Guía de montaje  
 Istruzioni di montaggio  
 Instruções de montagem  
 Monteringsanvisning  
 Instrukcja montażu  
 Рекомендации по установке

Max. PFF 2420: 70 kg / 154 lbs  
 PFT 2505: 70 kg / 154 lbs  
 PFT 2510: 55 kg / 121 lbs



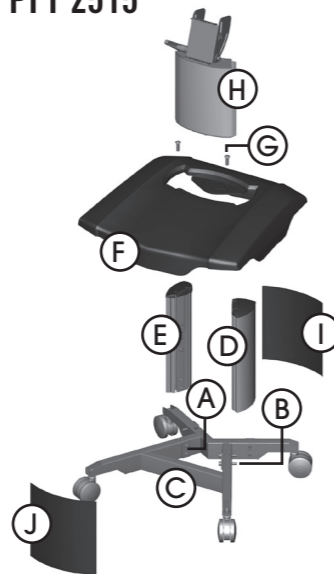
ISO 9001 : 2000  
 CERTIFIED

PFF 2420  
 PFT 2520



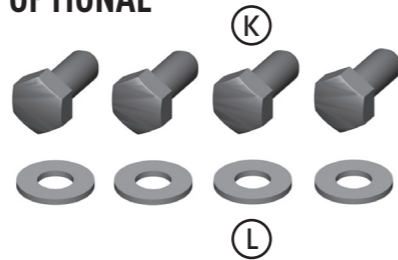
- A = 4x Connection plate
- B = 8x DIN912 Hexagon socket head cap screw M8x50
- C = 1x Foot
- D = 1x Column left
- E = 1x Column right
- F = 1x Cover stand high
- G = 2x ISO7380 Hex socket button head screw M10x30
- H = 1x Intercolumn
- I = 1x Front plate
- J = 1x Back plate

PFT 2515

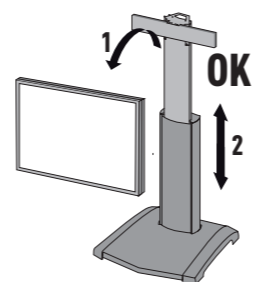
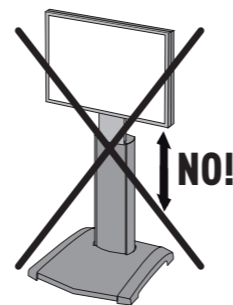


- A = 4x Connection plate
- B = 8x DIN912 Hexagon socket head cap screw M8x50
- C = 1x Foot
- D = 1x Column left
- E = 1x Column right
- F = 1x Cover stand high
- G = 2x ISO7380 Hex socket button head screw M10x30
- H = 1x Intercolumn
- I = 1x Front plate
- J = 1x Back plate

OPTIONAL

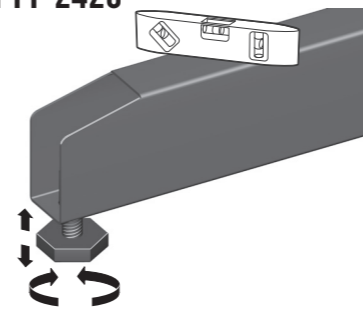


**WARNING**

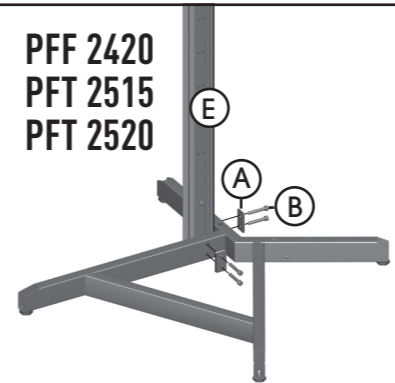


(GB) Subject to printing errors and technical amendments.  
 (NL) Drukfouten en technische wijzigingen voorbehouden.  
 (F) Sous réserve de fautes d'impression et de modifications techniques.  
 (D) Für Druckfehler übernehmen wir keine Verantwortung. Technische Änderungen vorbehalten.  
 (E) Reservados errores de imprenta y sujeta a modificaciones.  
 (I) Con riserva di modifiche tecniche e di eventuali errori di stampa.  
 (P) Reserva-se a ocorrência de gralhas e de modificações técnicas.  
 (H) Nyomdahibák és technikai változtatások joga fenntartva.  
 (PL) Zastrzeżenie się możliwość występowania błędów drukarskich i zmian technicznych.  
 (RUS) Возможны ошибки при печати и технические модификации.

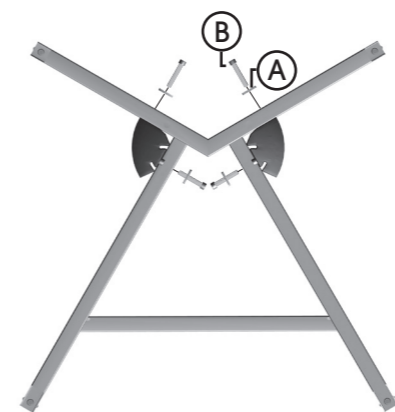
1 PFF 2420



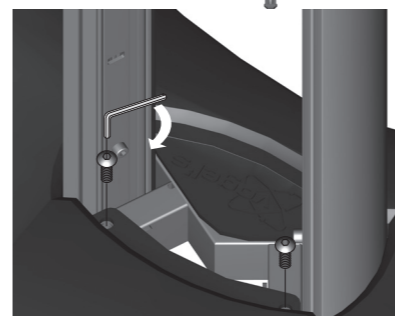
2 PFF 2420  
 PFT 2515  
 PFT 2520



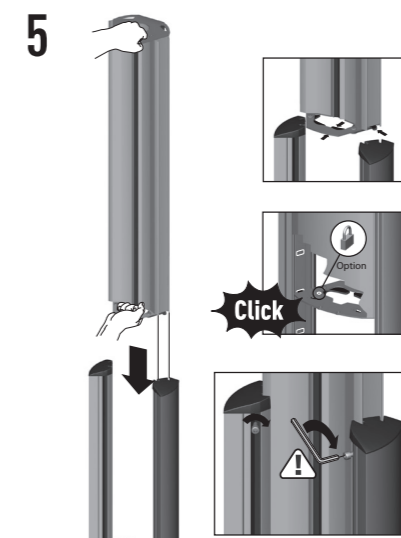
3



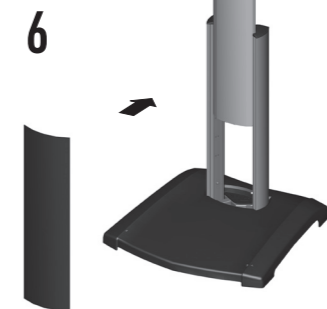
4



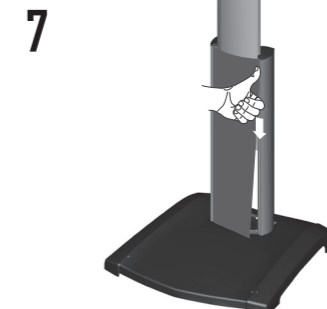
5



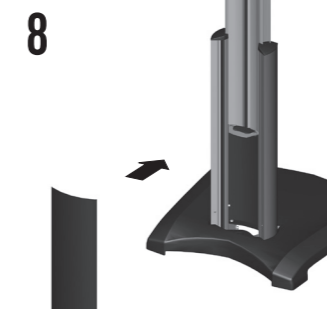
6



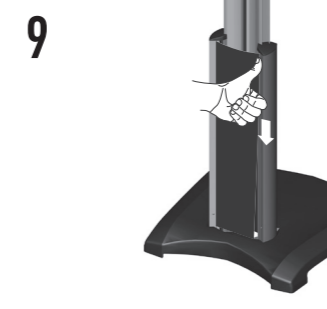
7



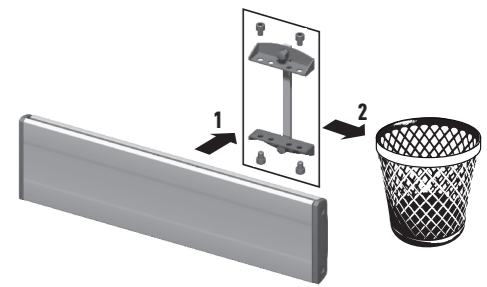
8



9

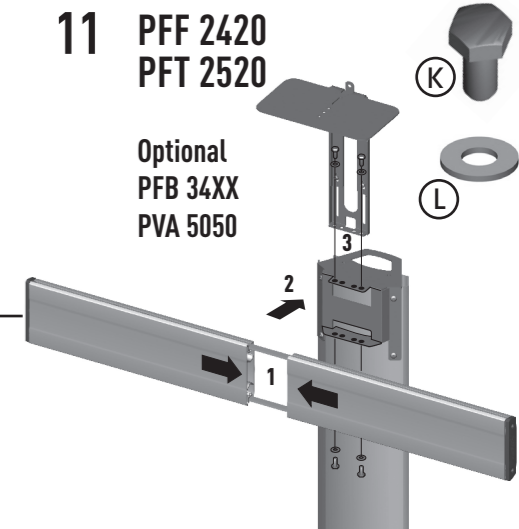


10 Optional: PFB 34XX



11 PFF 2420  
 PFT 2520

Optional  
 PFB 34XX  
 PVA 5050



12 PFF 2515

