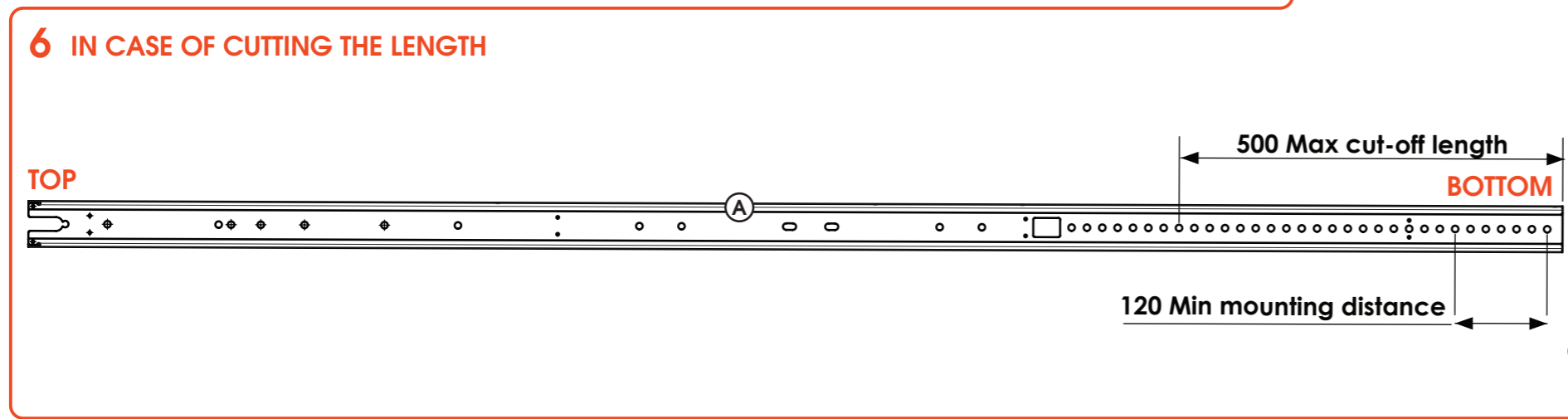
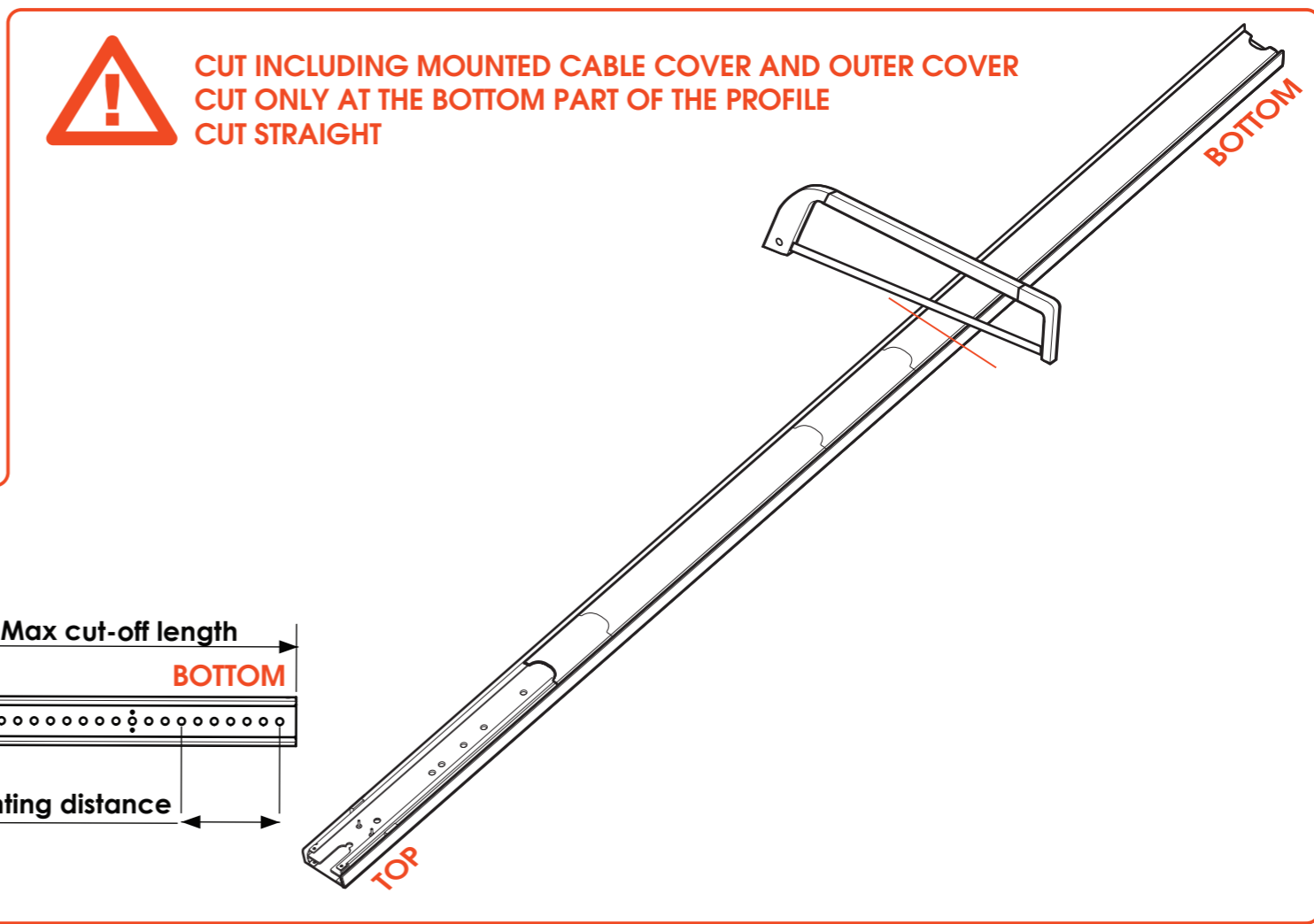
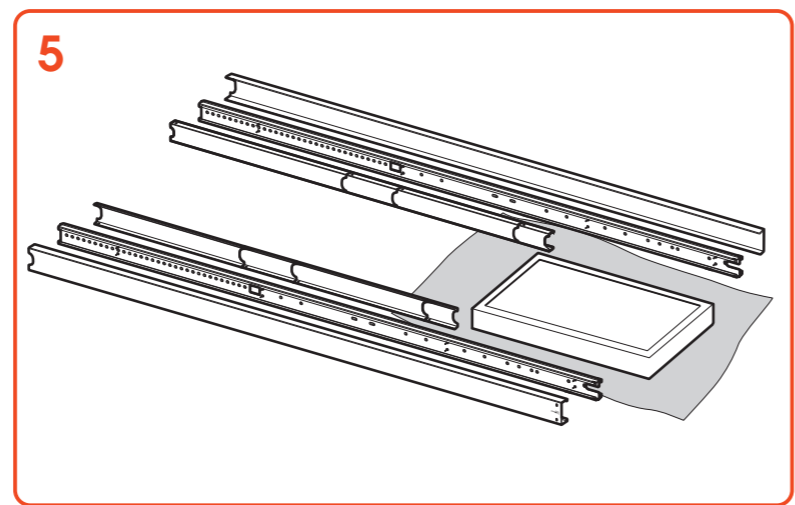
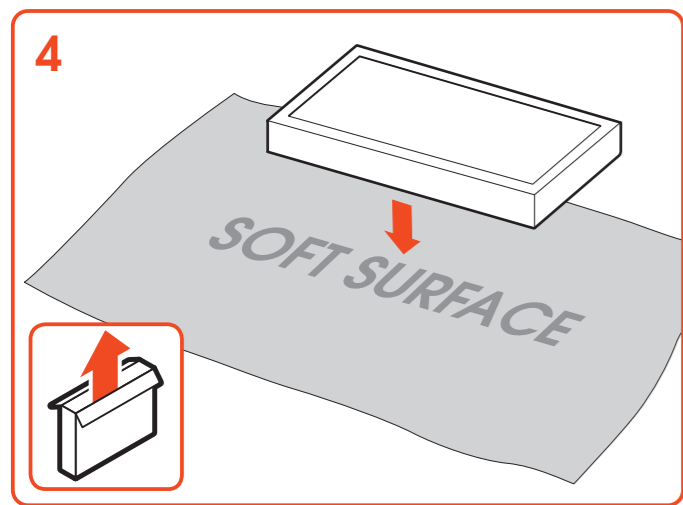
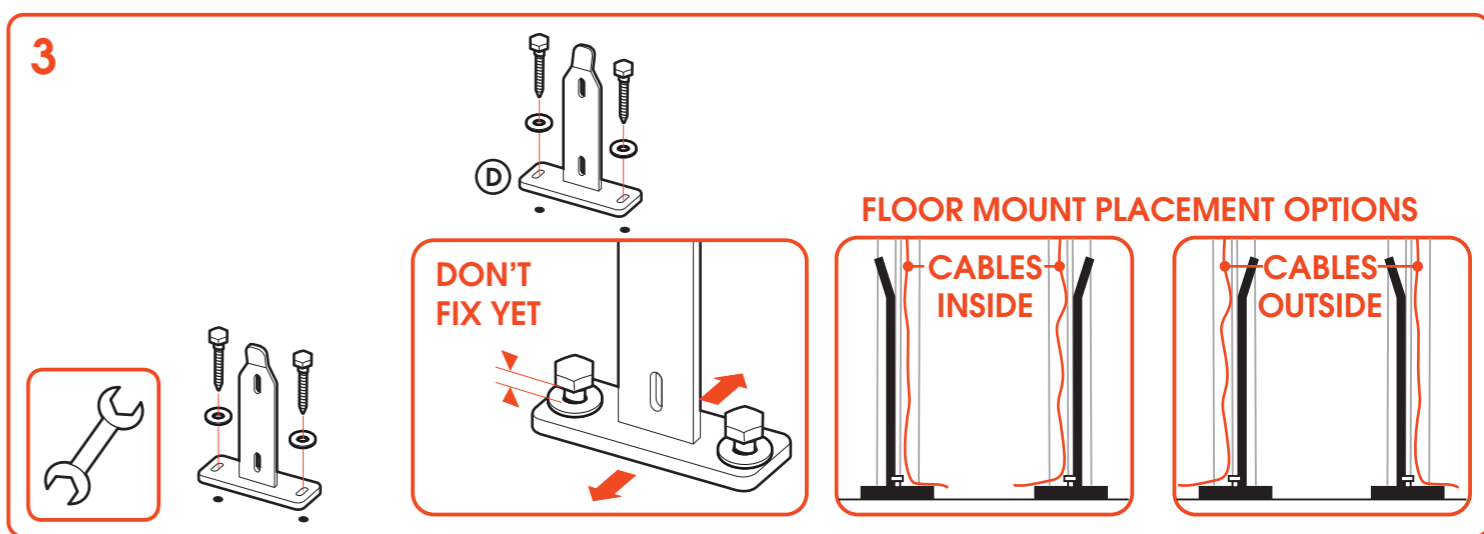
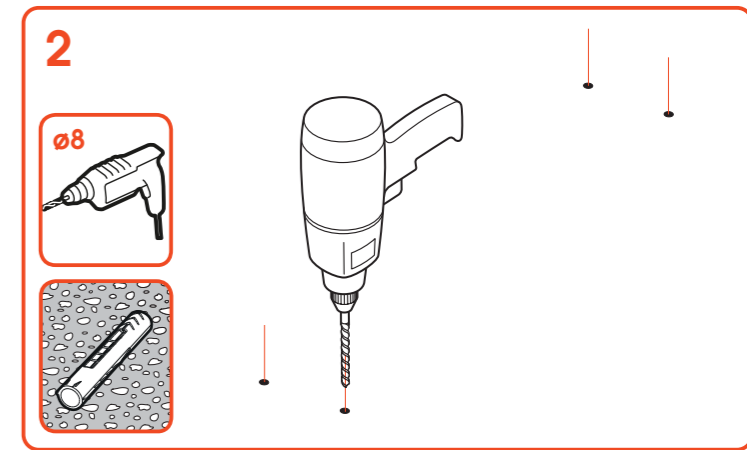
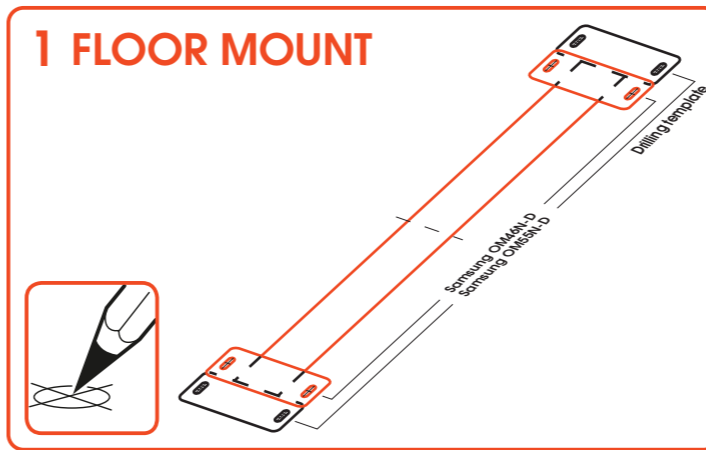
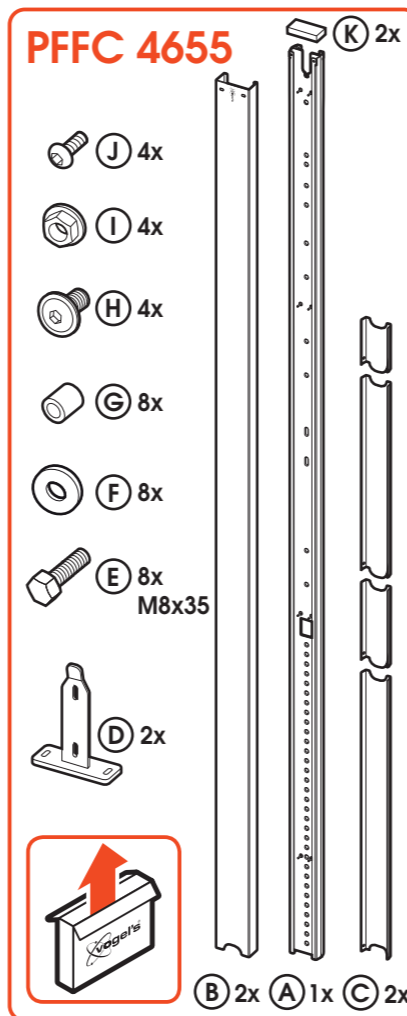
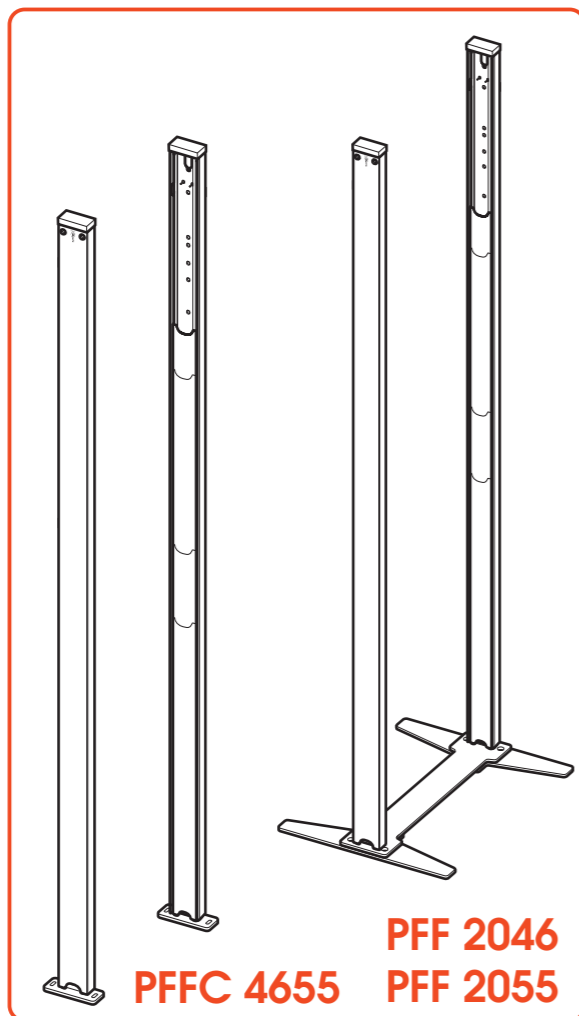
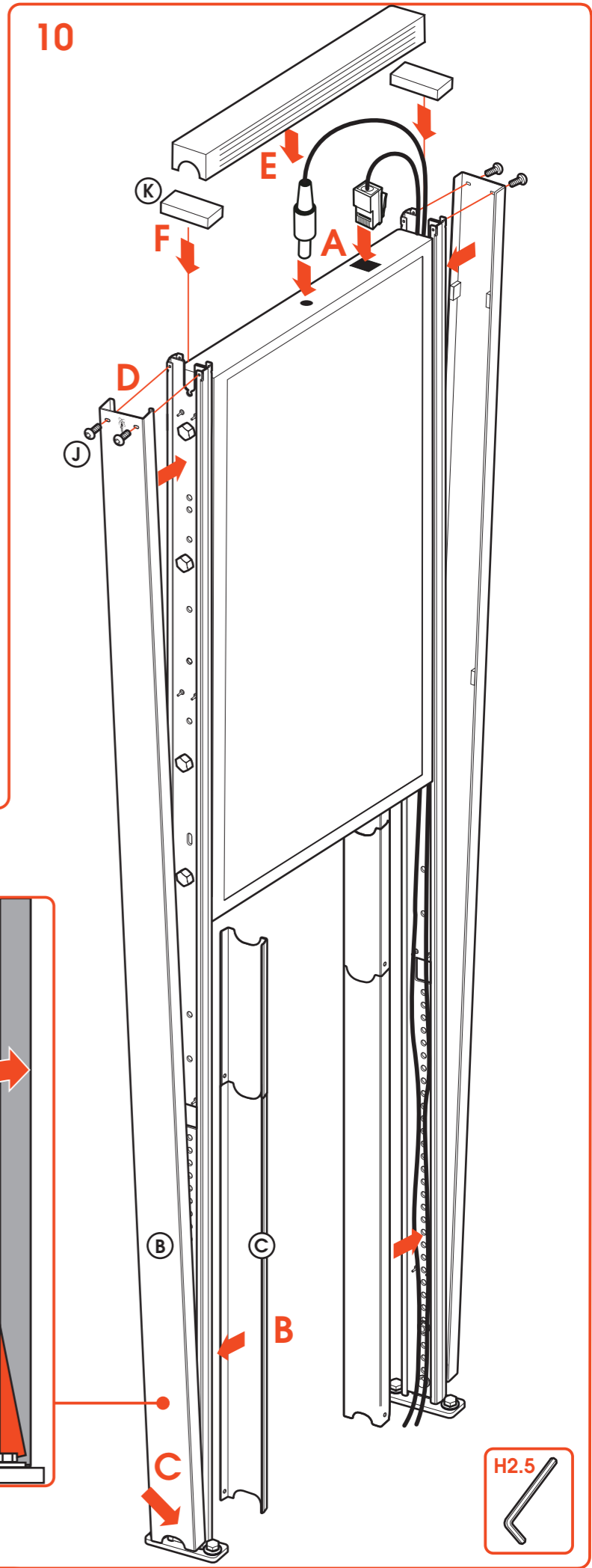
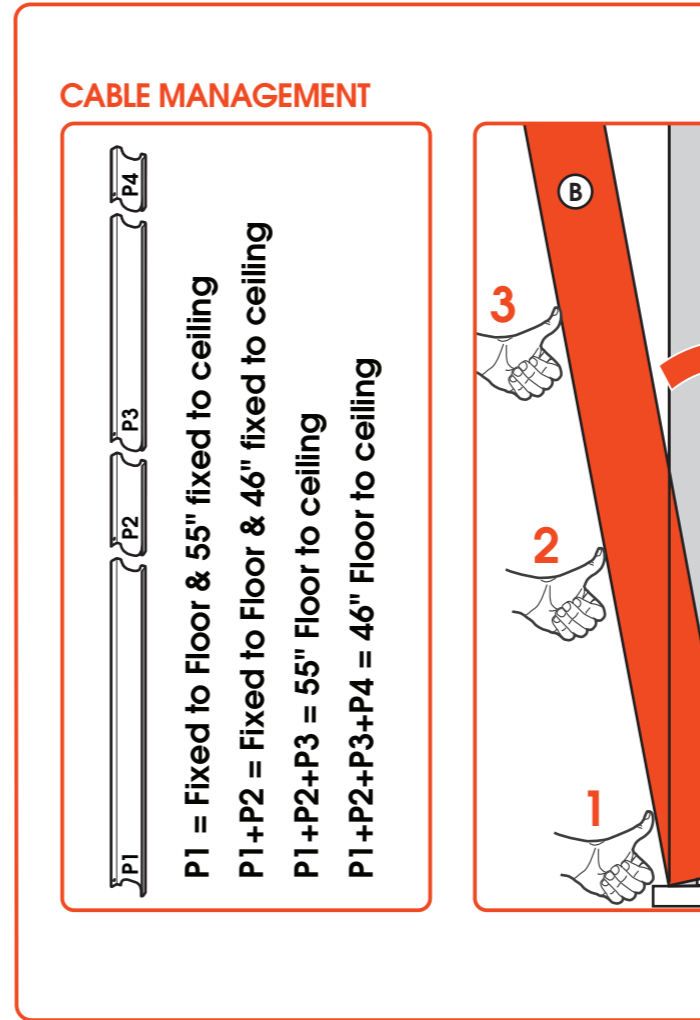
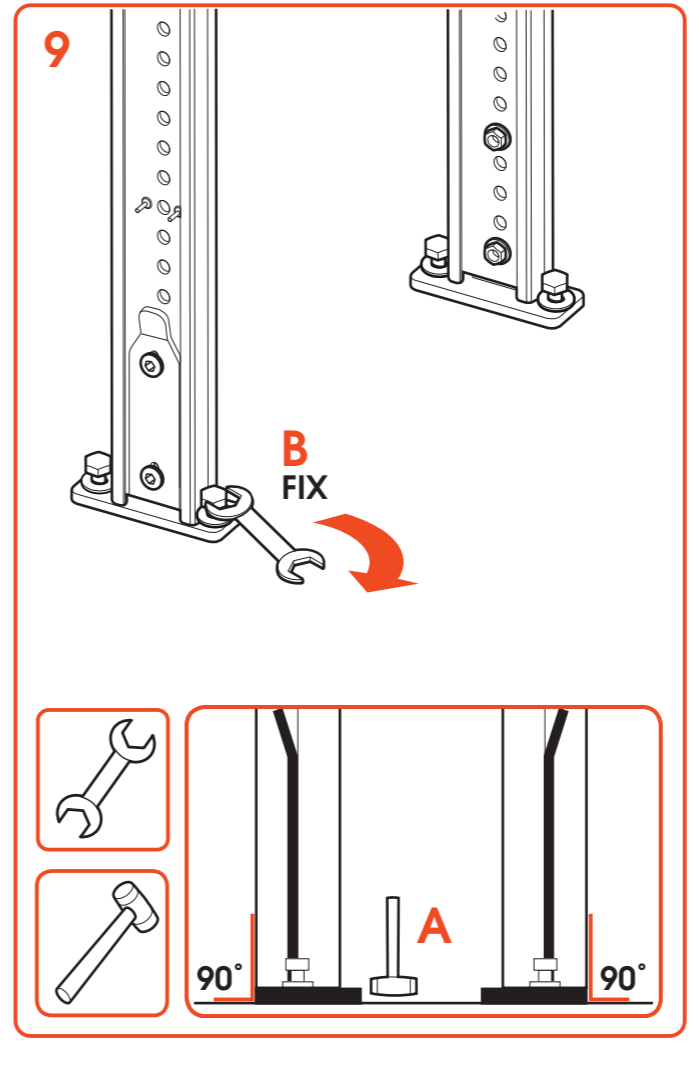
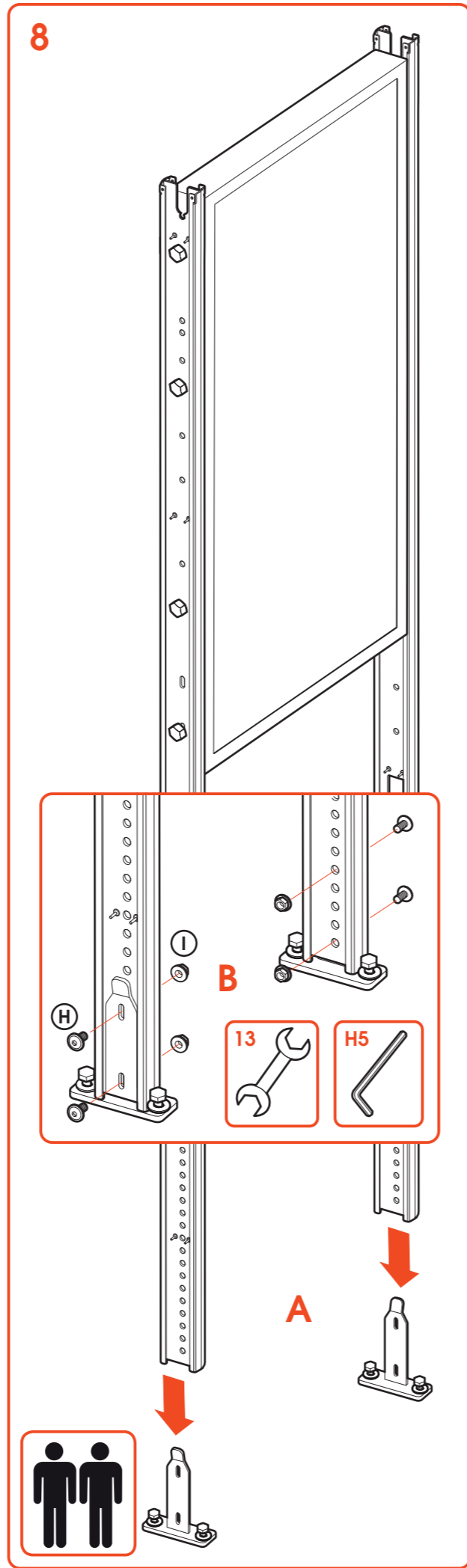
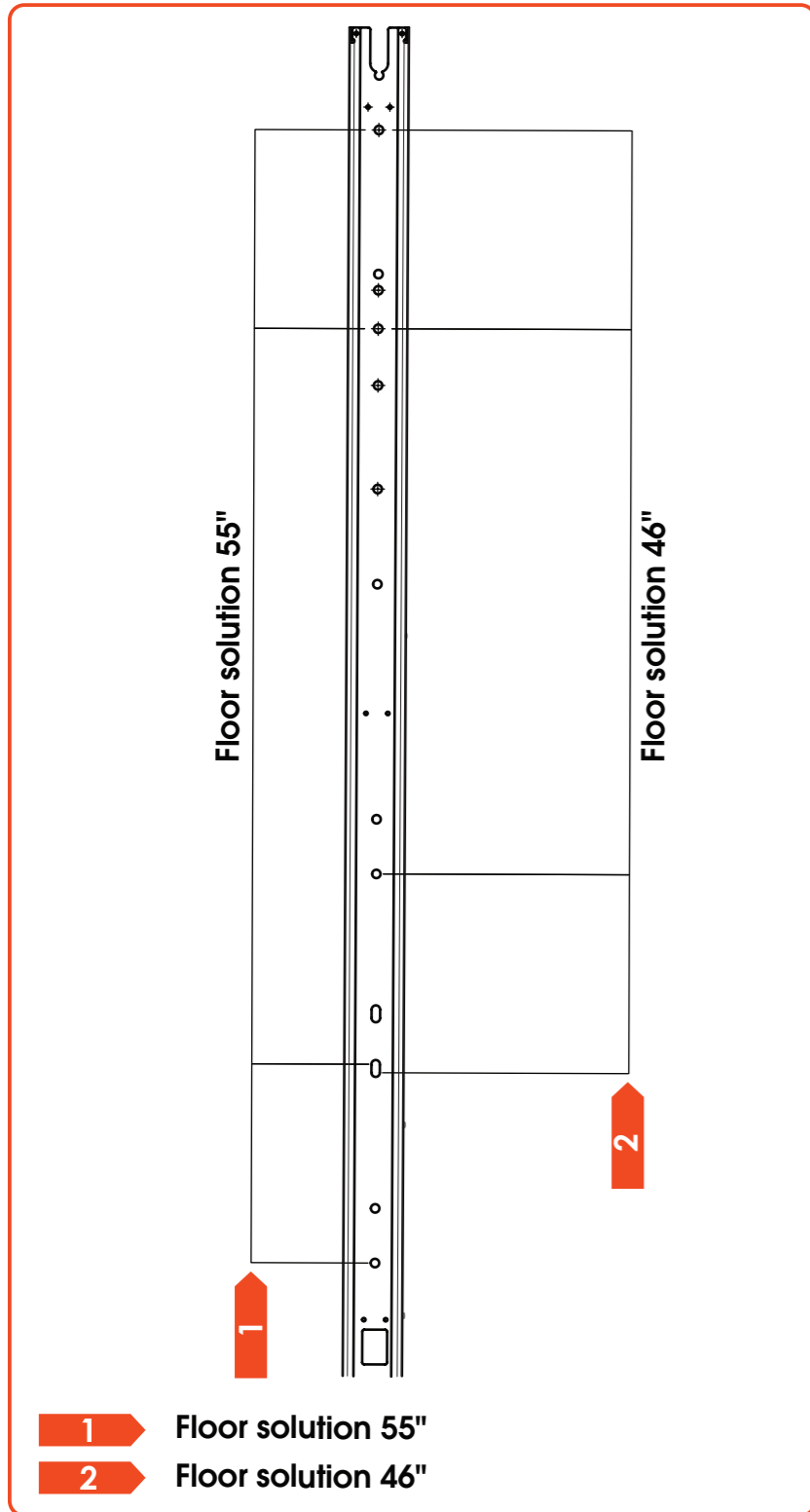
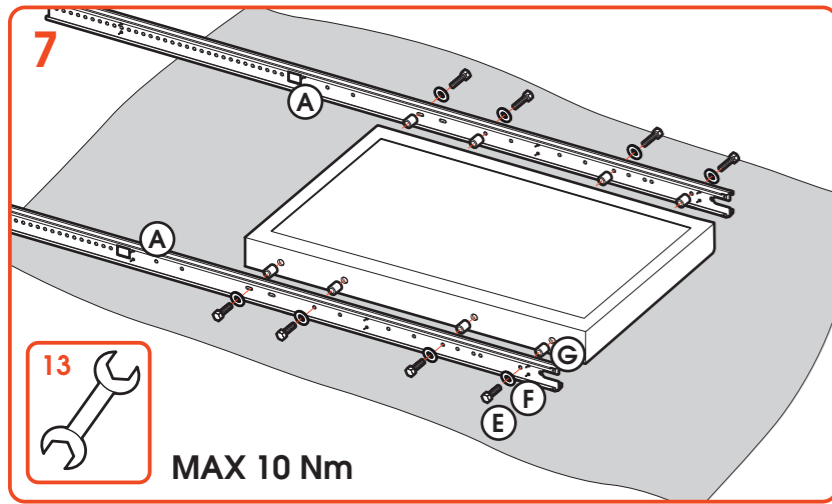
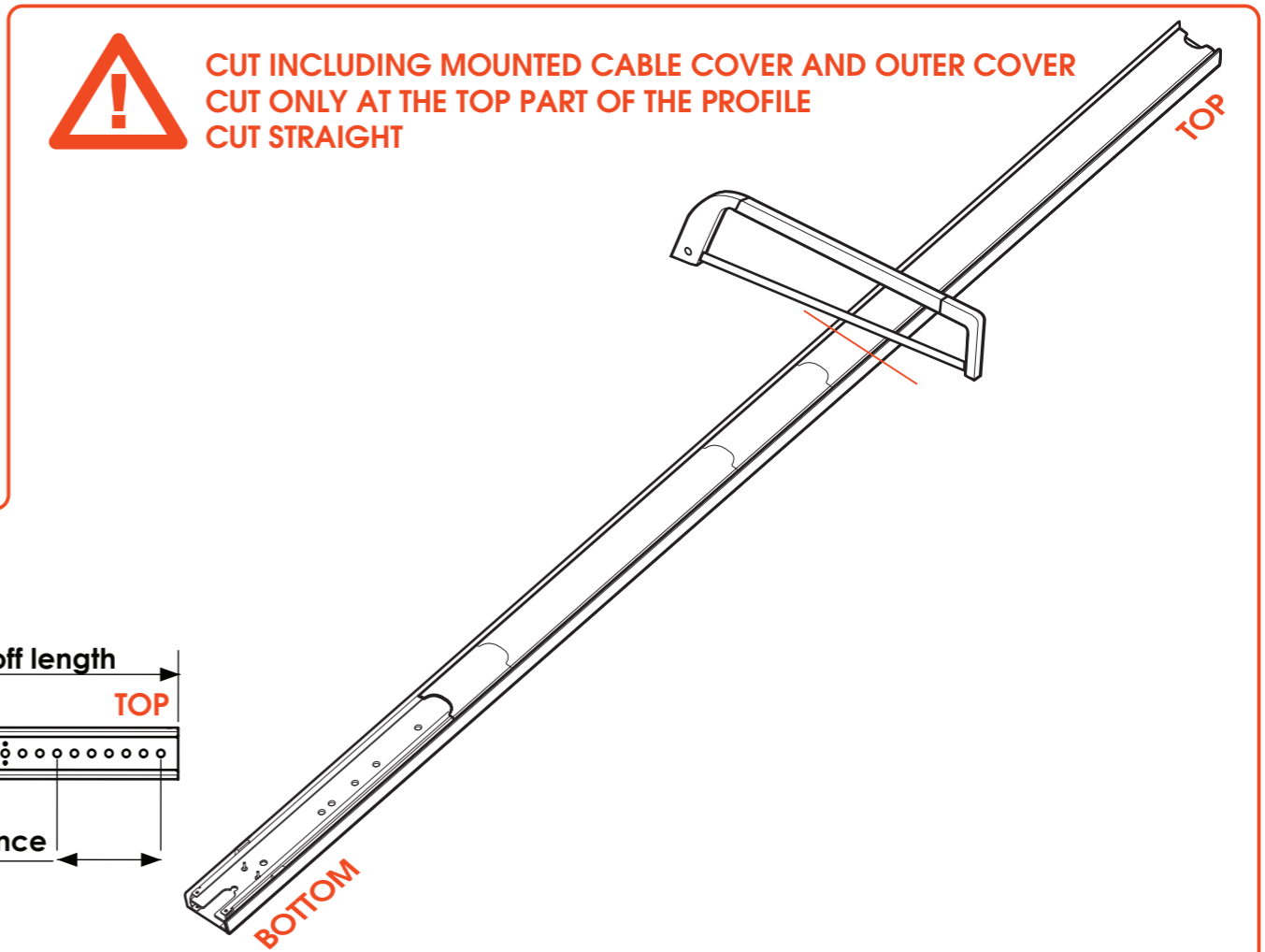
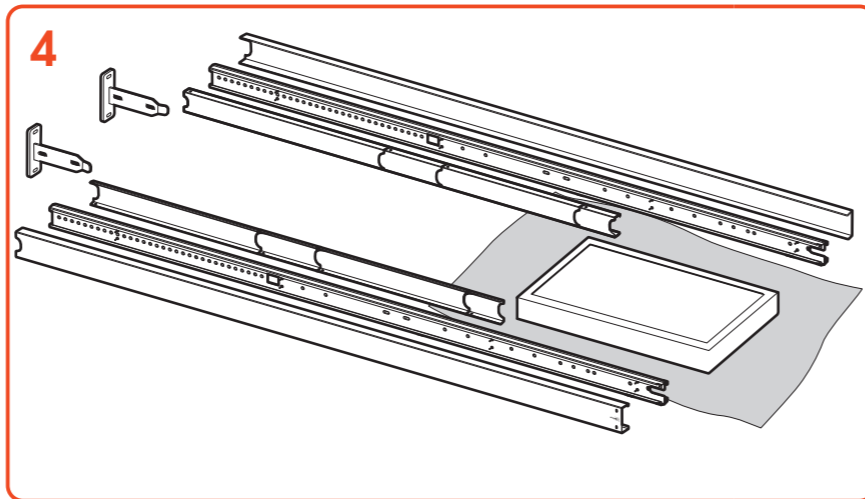
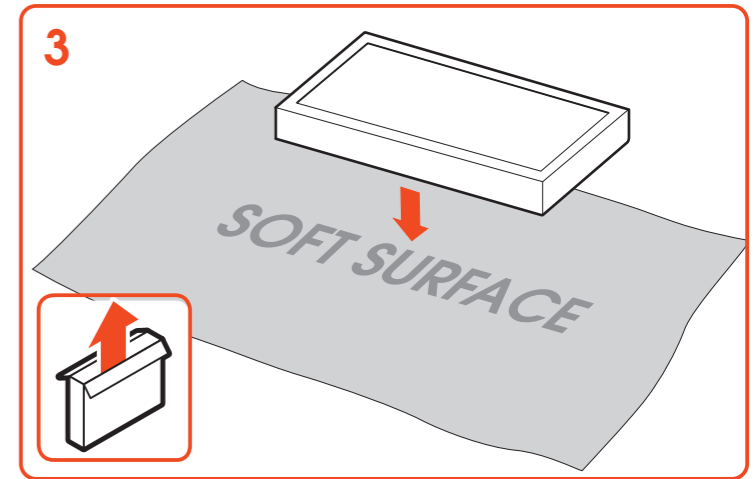
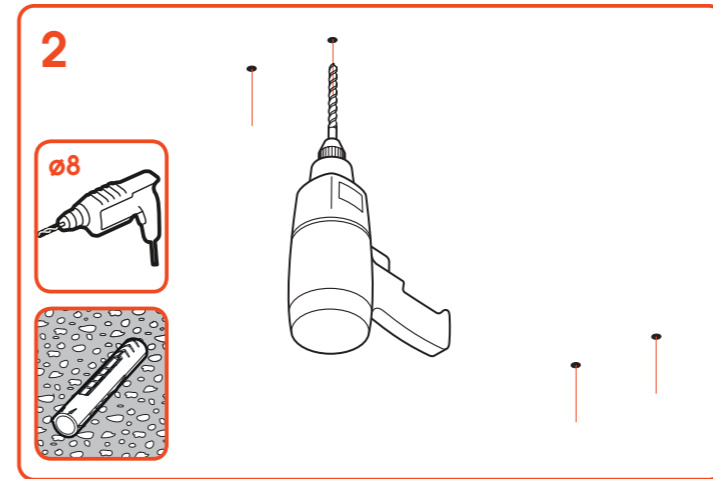
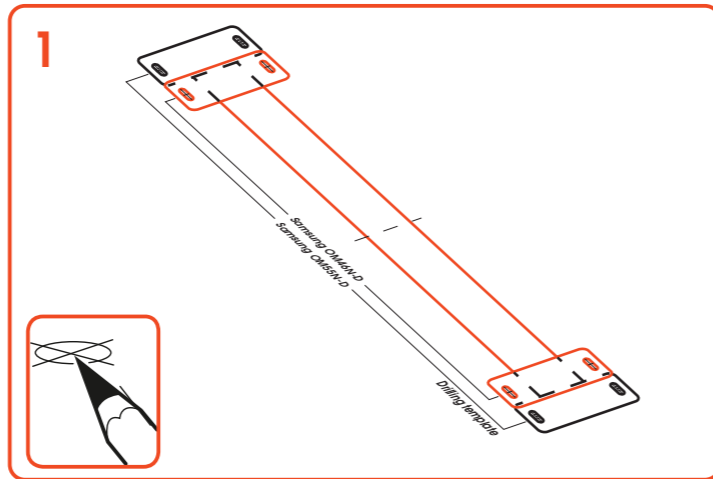
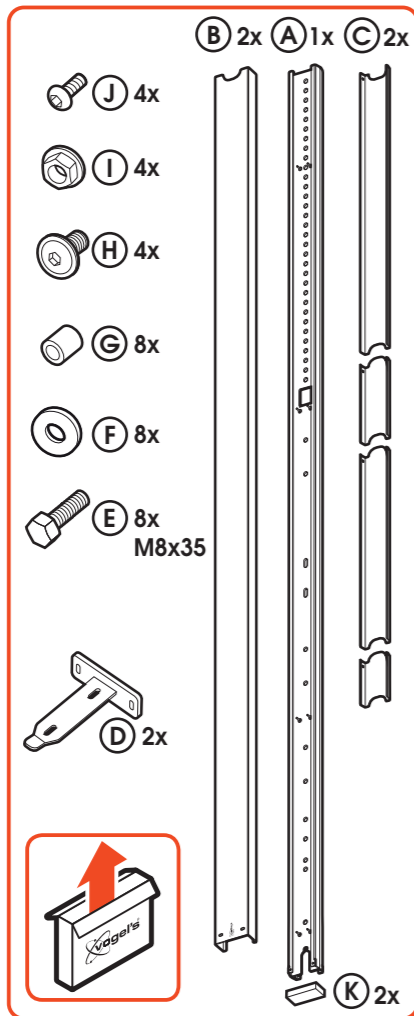
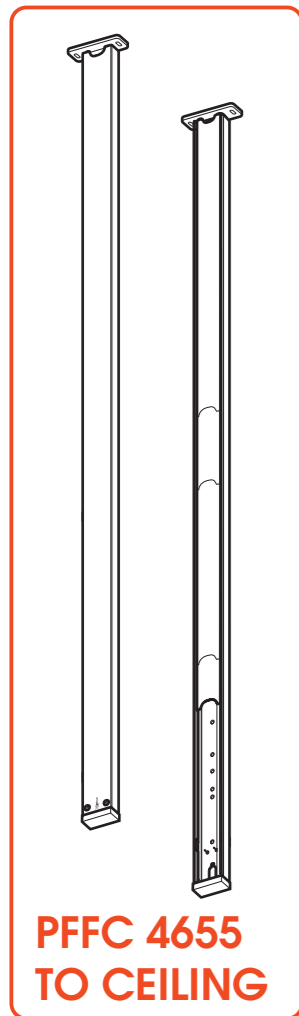


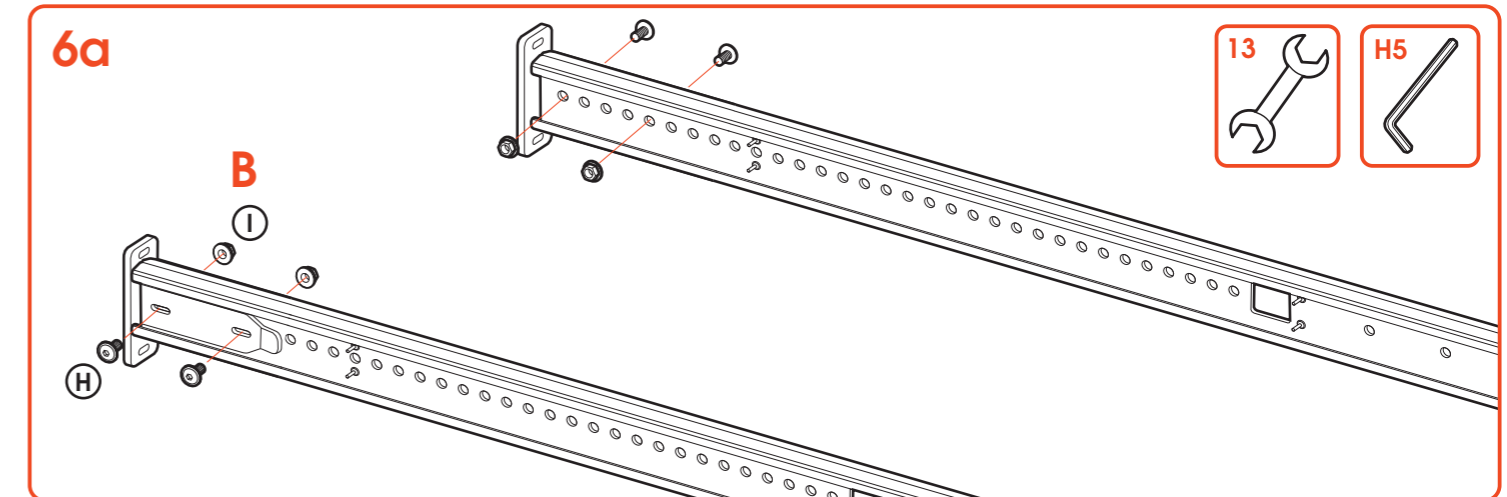
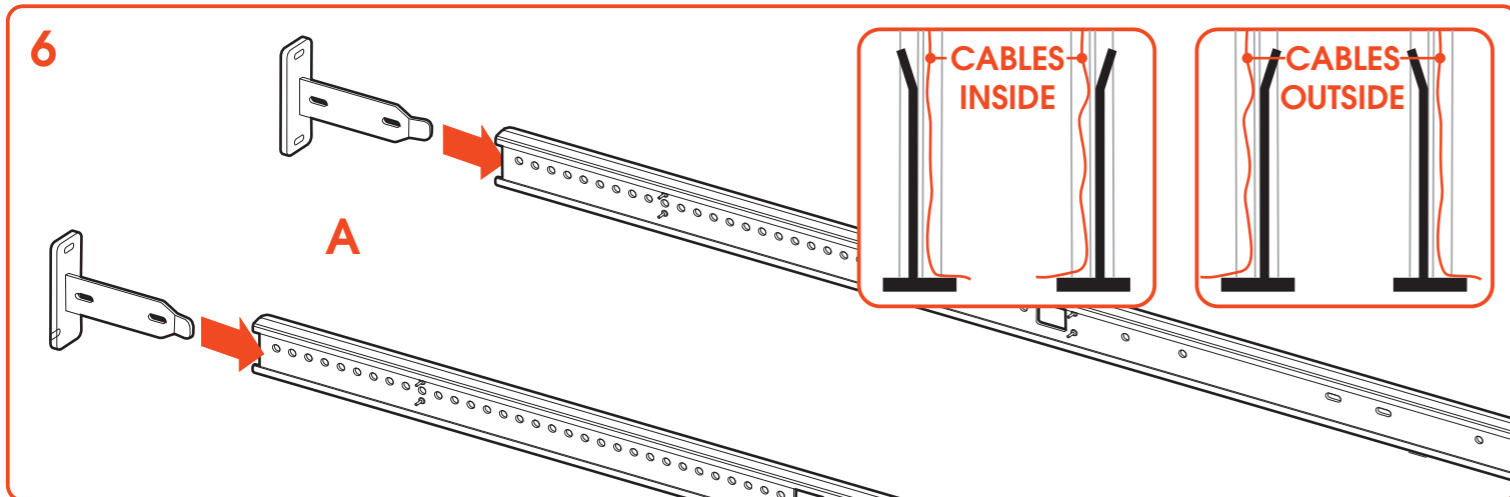
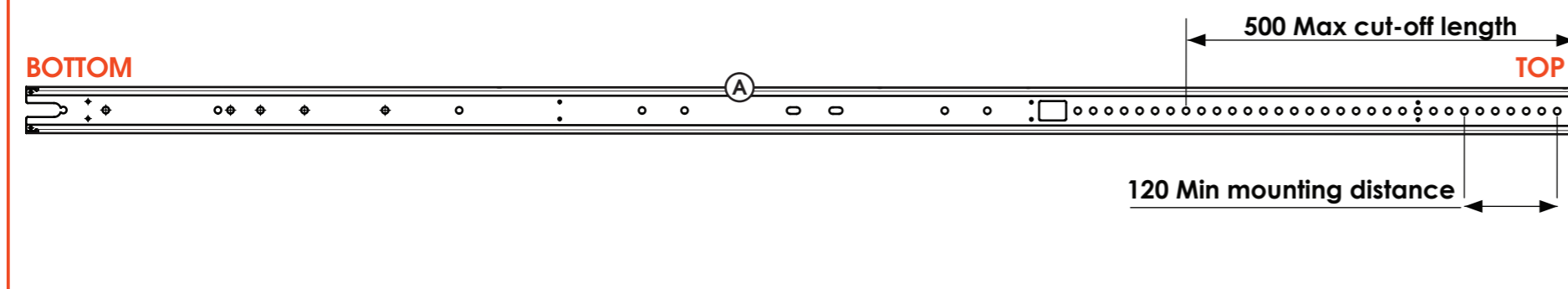
EN Mounting instructions
 DE Montageanleitung
 FR Consignes d'installation
 NL Montagevoorschrift
 ES Instrucciones de montaje
 IT Istruzioni di montaggio
 PT Manual de montagem
 EL Οδηγίες συναρμολόγησης
 SV Montageföreskrifter
 PL Instrukcja montażu
 RU Инструкция по сборке и установке
 CZE Návod k montáži
 SK Návod na montáž
 HU Szerelési előírás
 TR Montaj k ilavuzu
 RO Instrucțiuni de montaj
 UK Вказівки по монтажі
 BG Инструкции за монтаж
 JA 設置の説明書
 ZH 装配说明

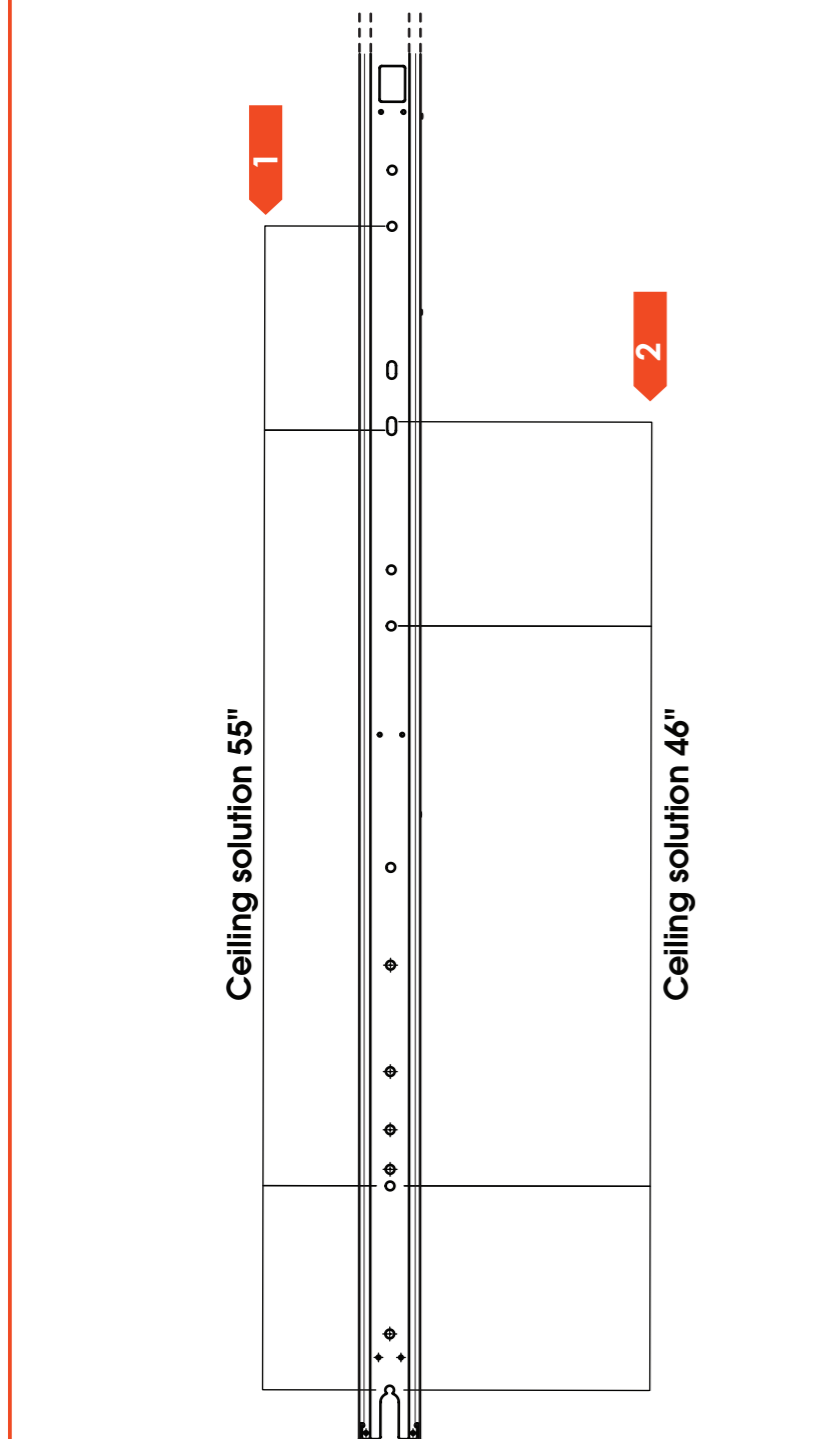
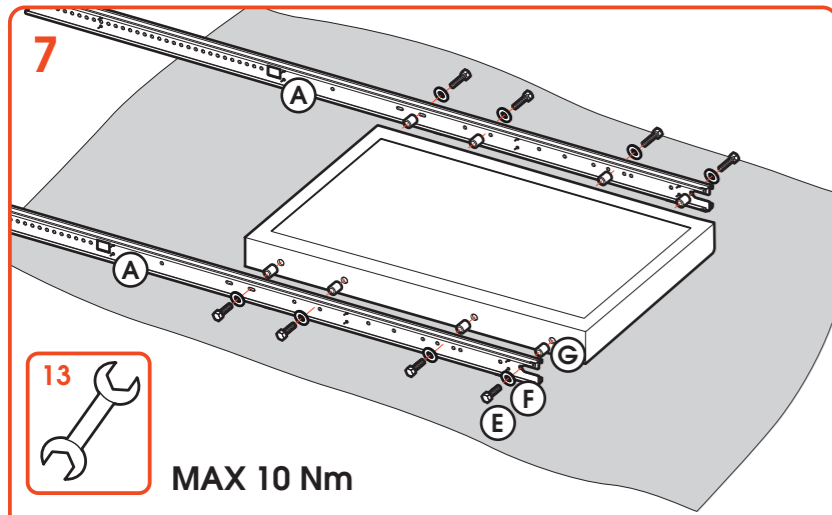




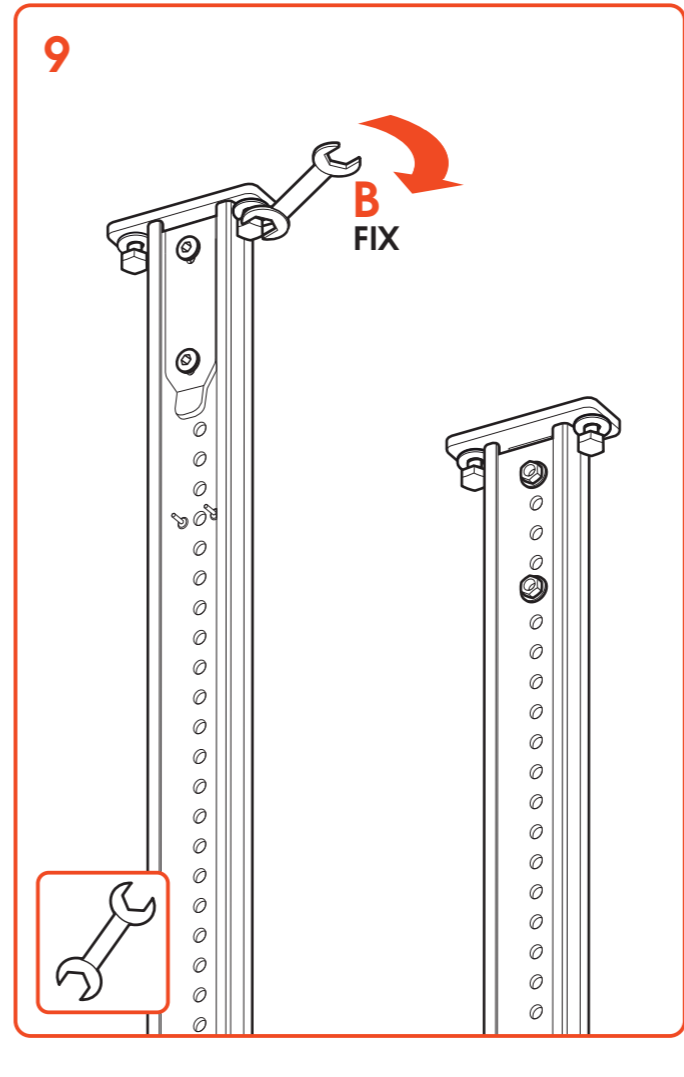
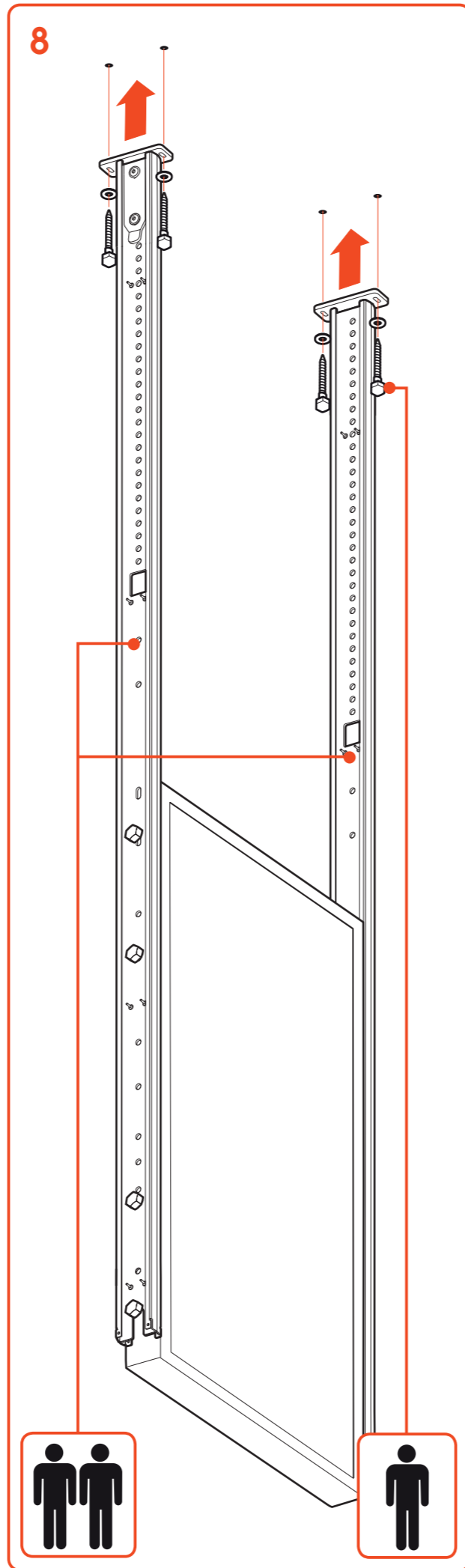


5 IN CASE OF CUTTING THE LENGTH



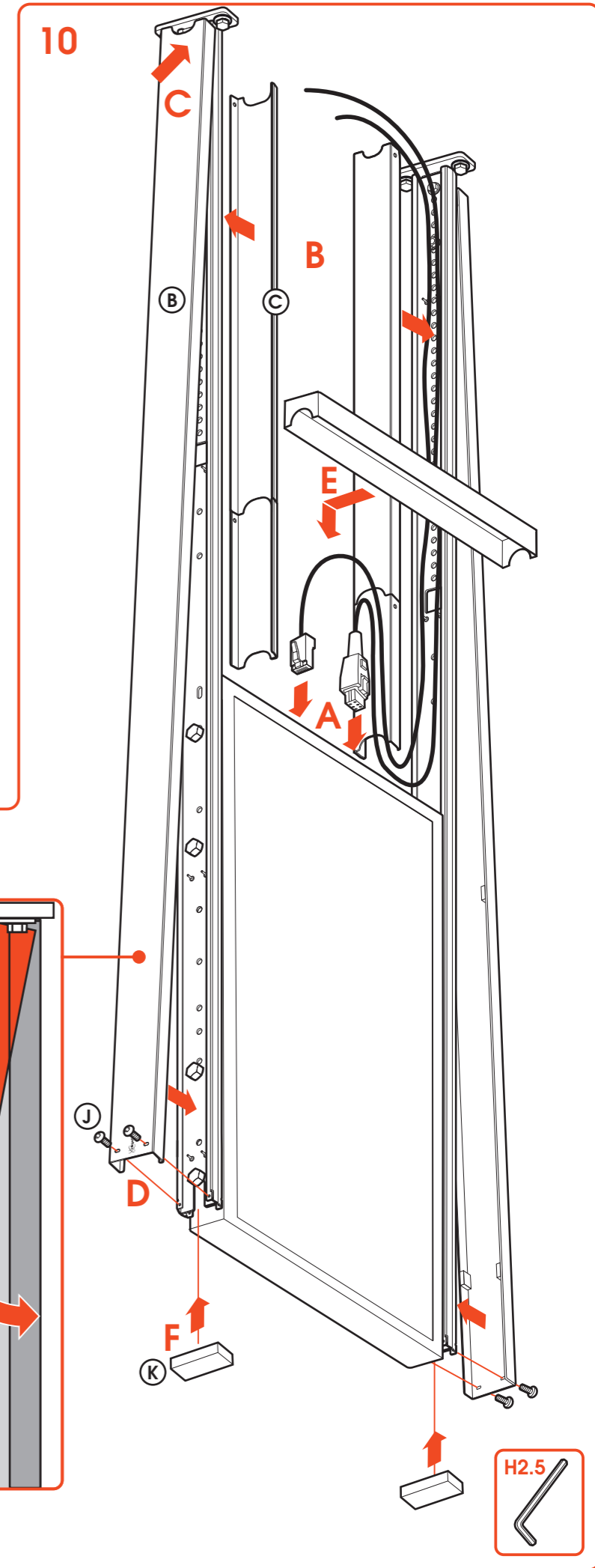


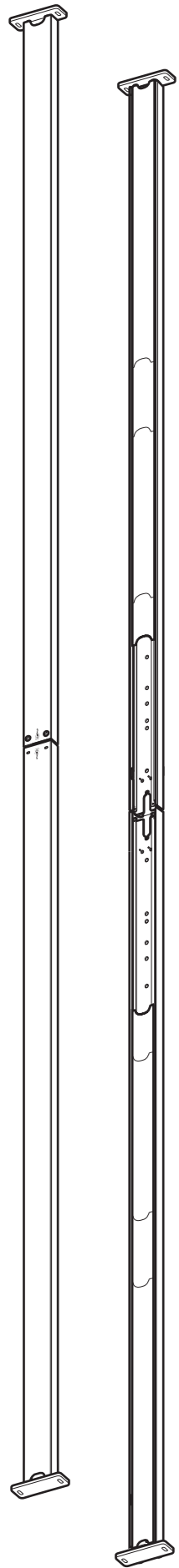
- 1** Ceiling solution 55"
- 2** Ceiling solution 46"



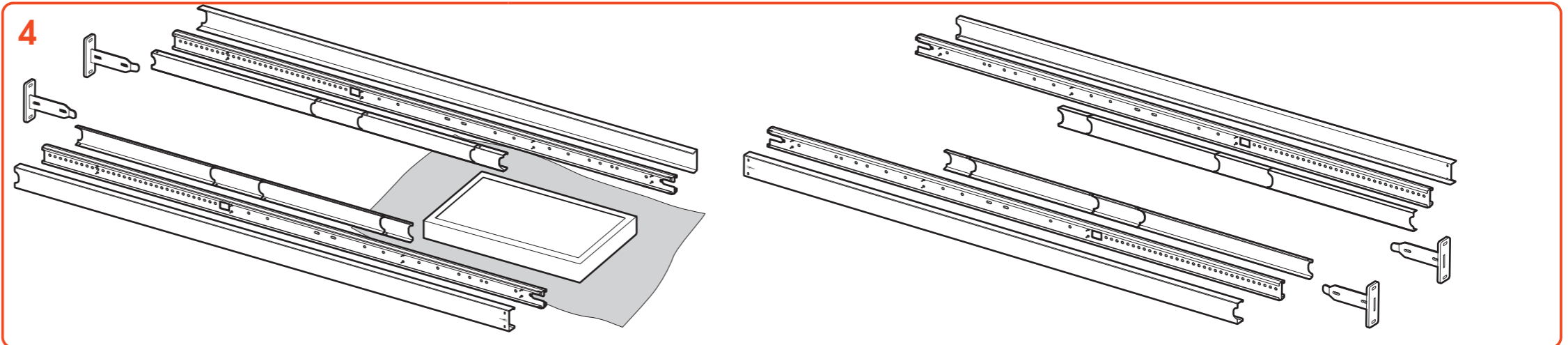
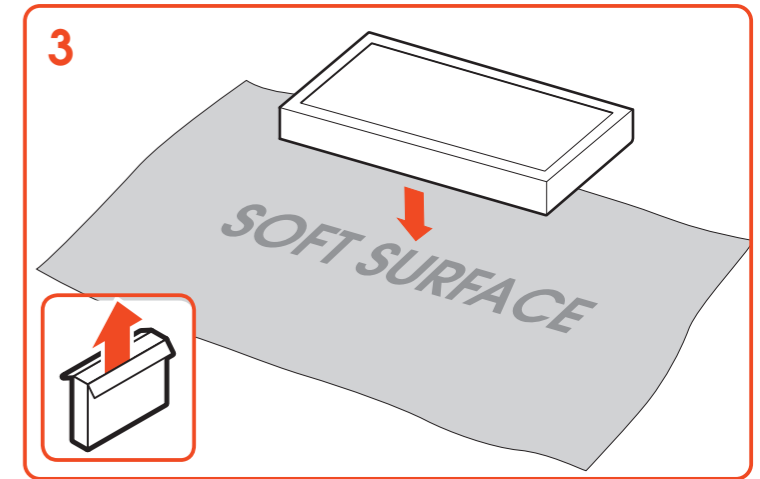
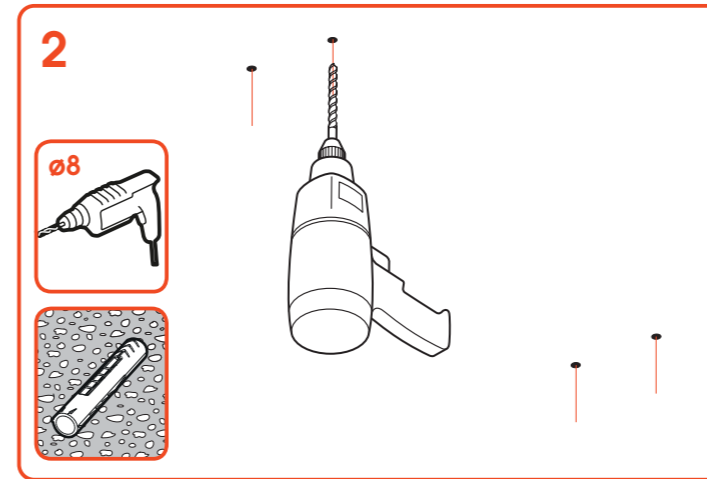
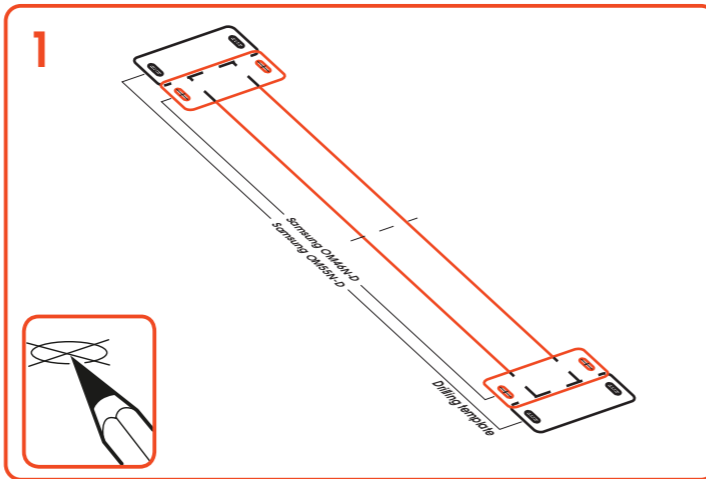
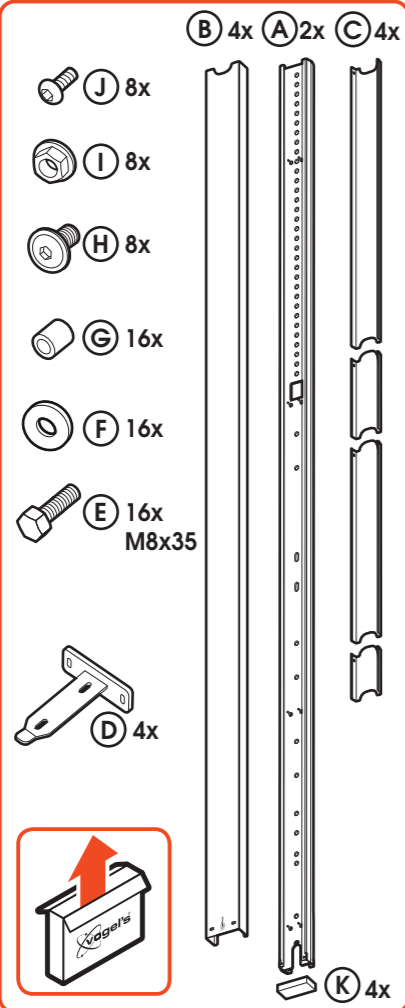
CABLE MANAGEMENT

- P1 = Fixed to Floor & 55" fixed to ceiling
- P1+P2 = Fixed to Floor & 46" fixed to ceiling
- P1+P2+P3 = 55" Floor to ceiling
- P1+P2+P3+P4 = 46" Floor to ceiling

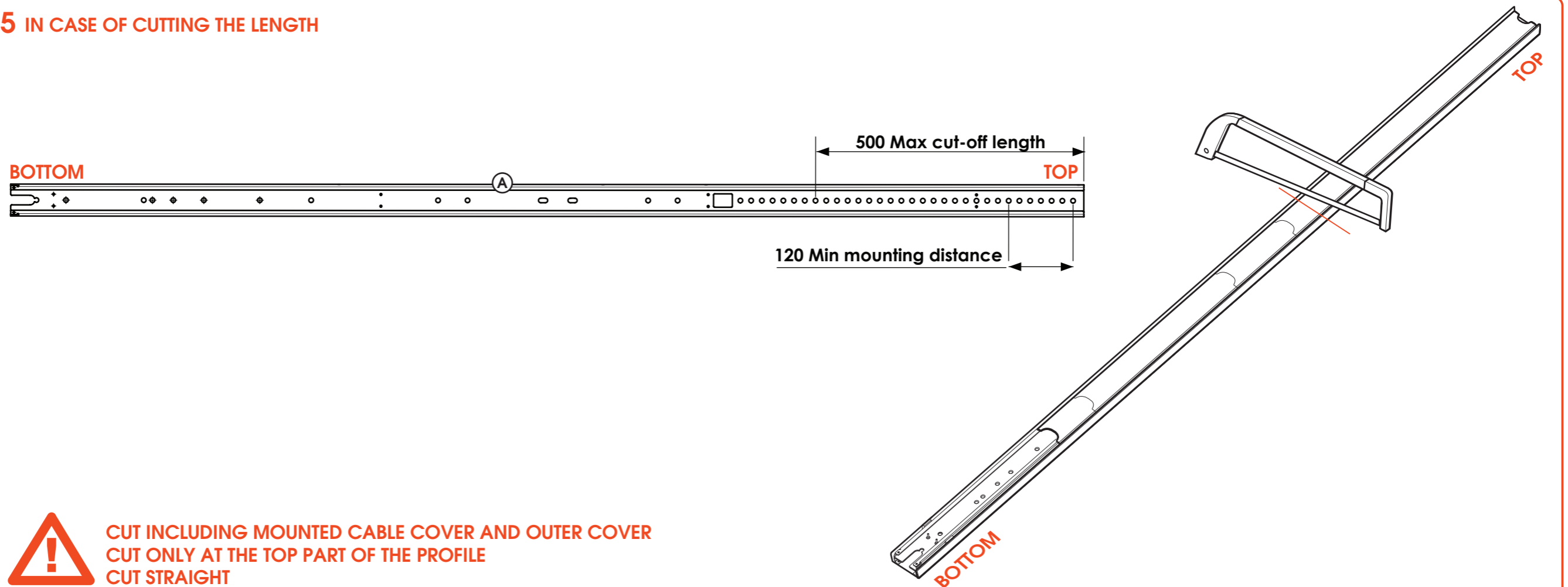




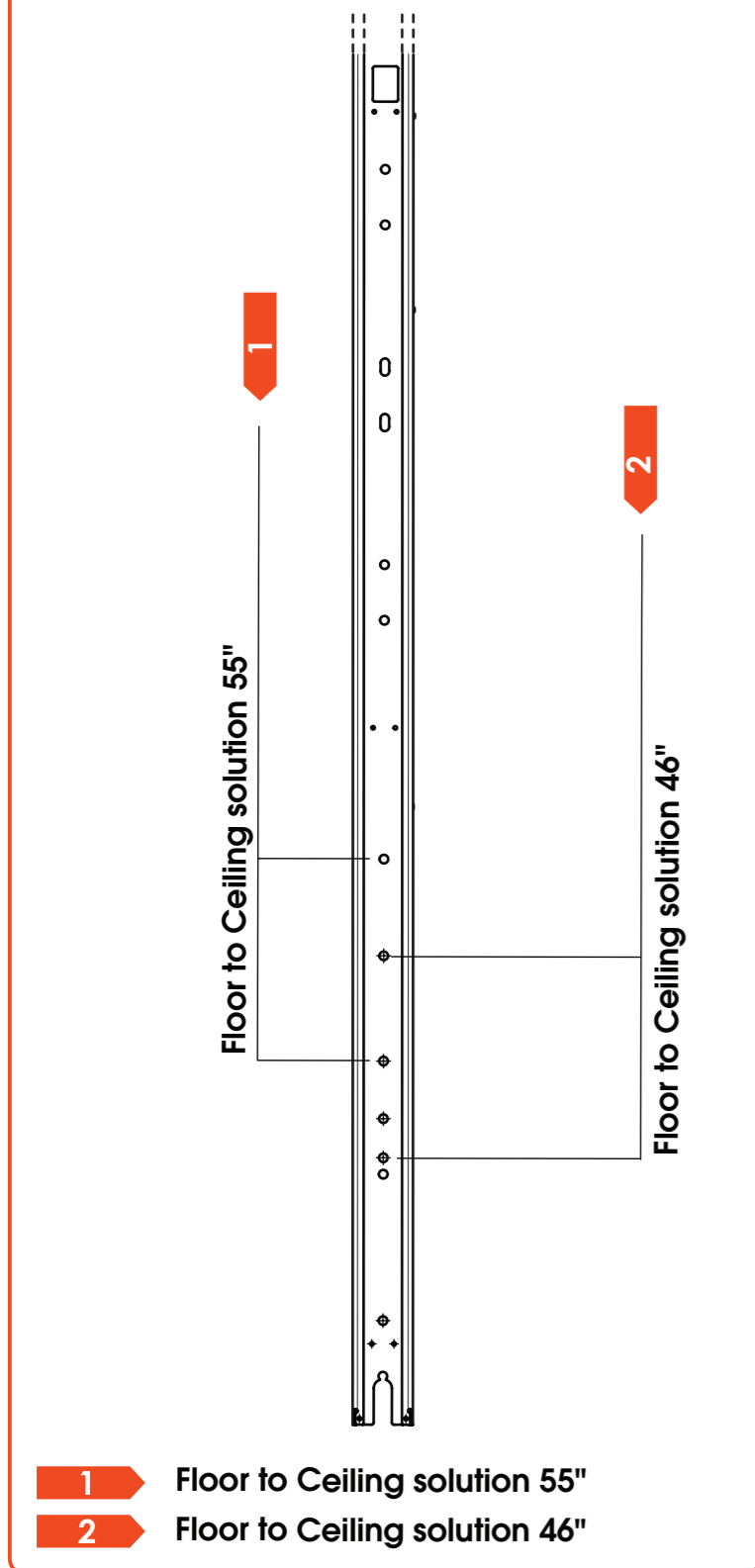
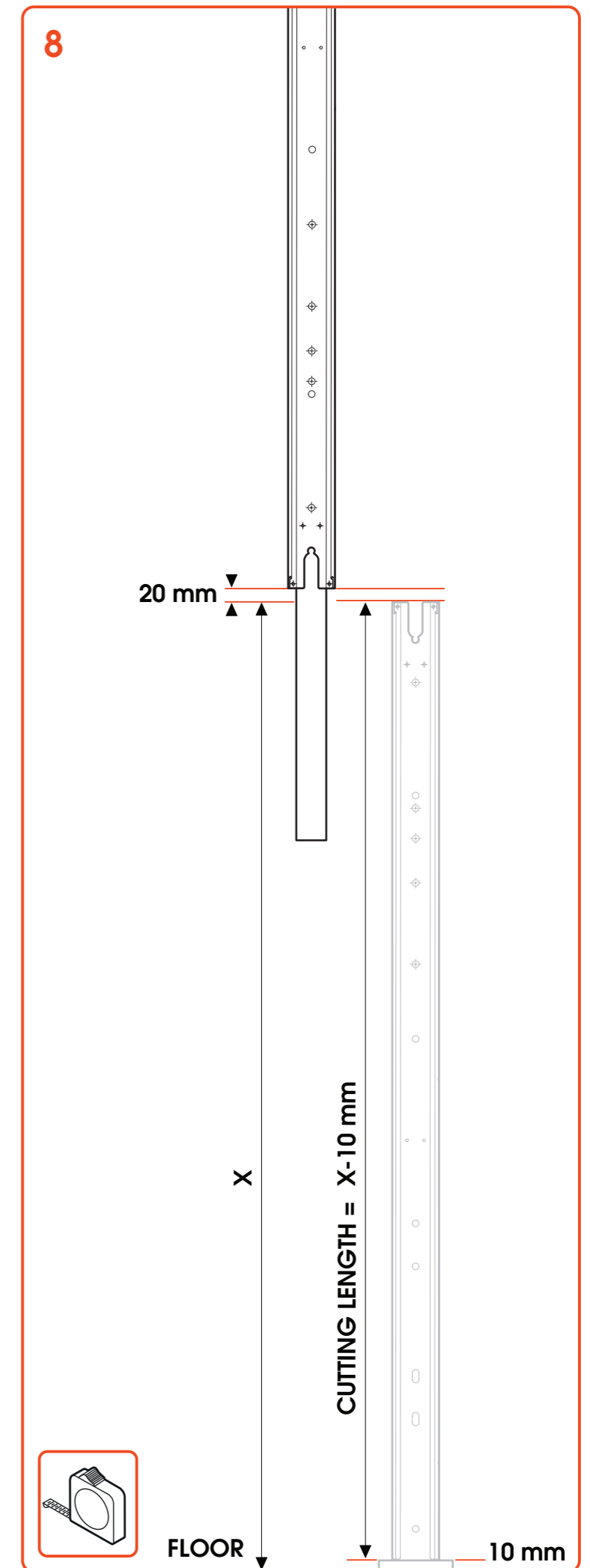
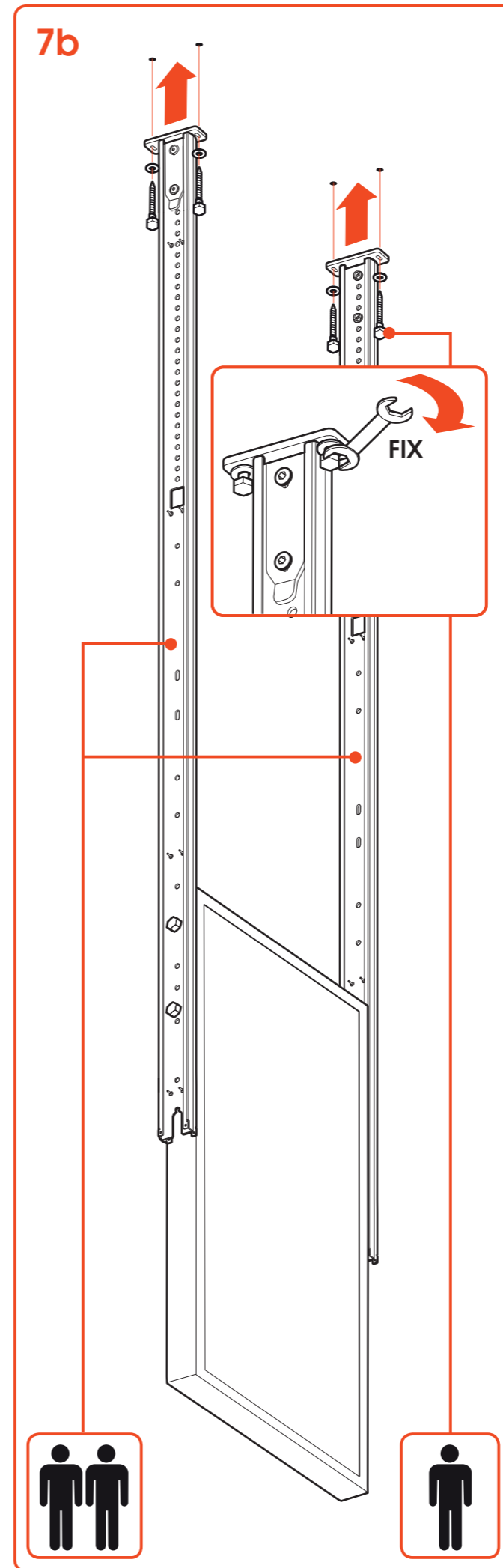
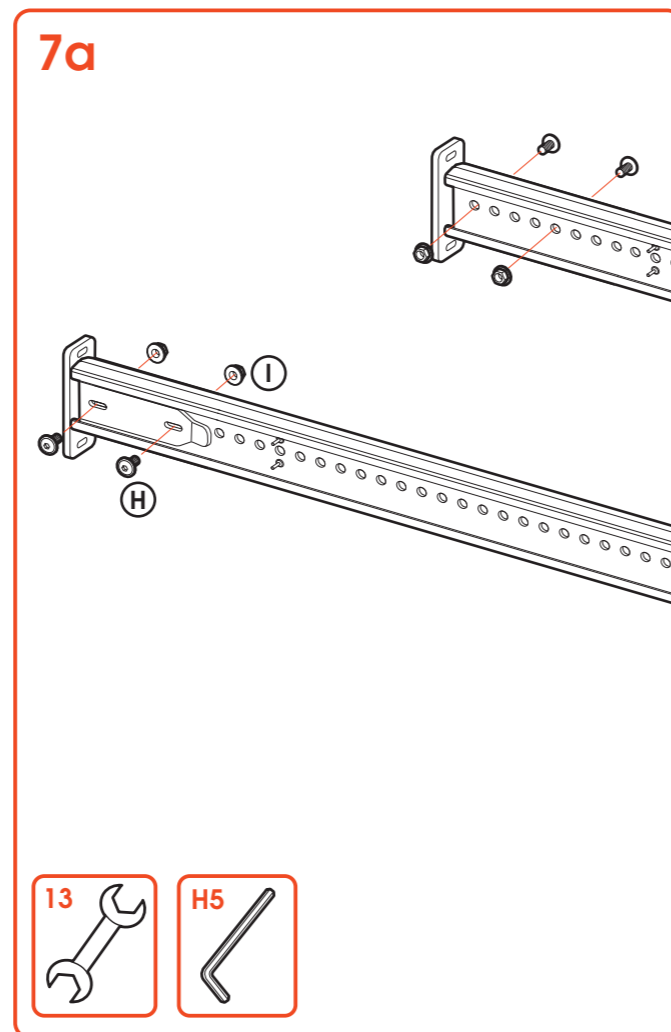
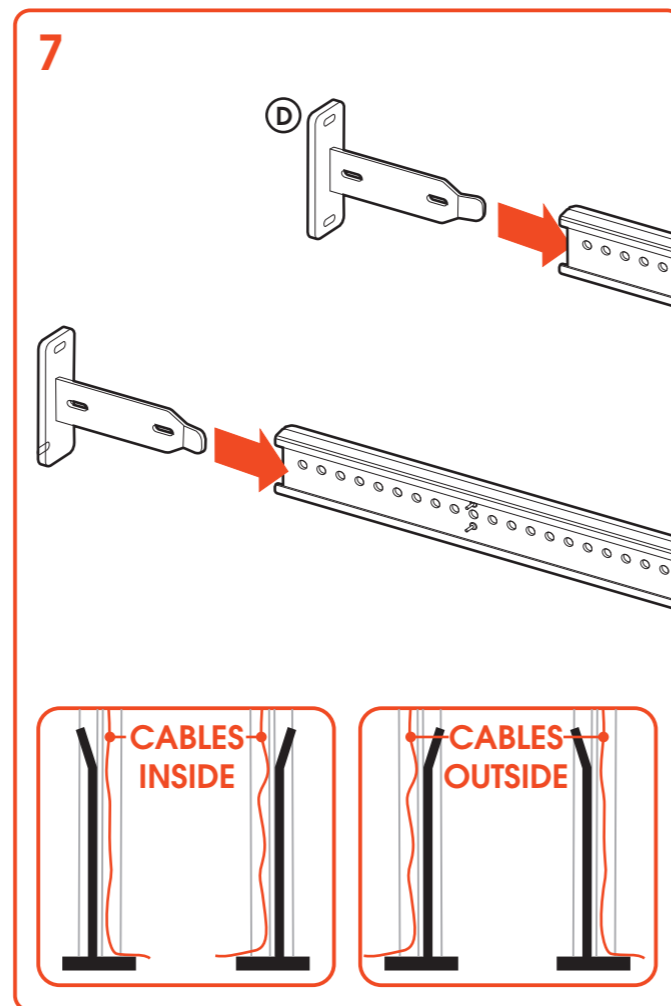
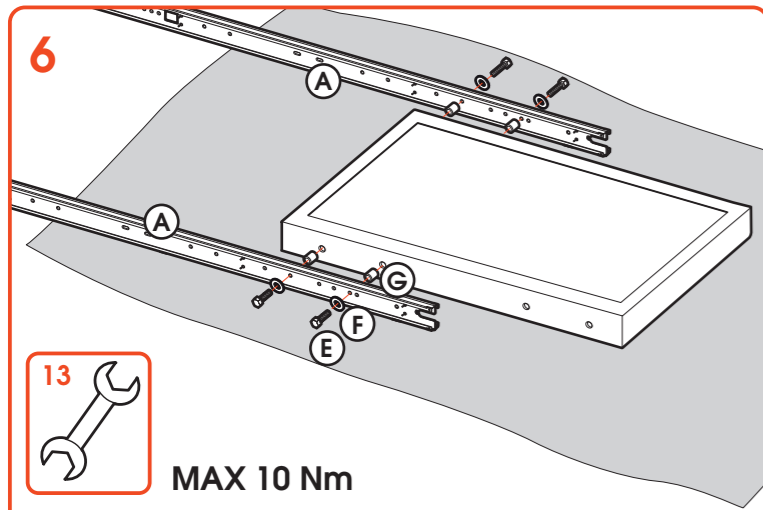
**PFFC 4655
FLOOR
TO CEILING**



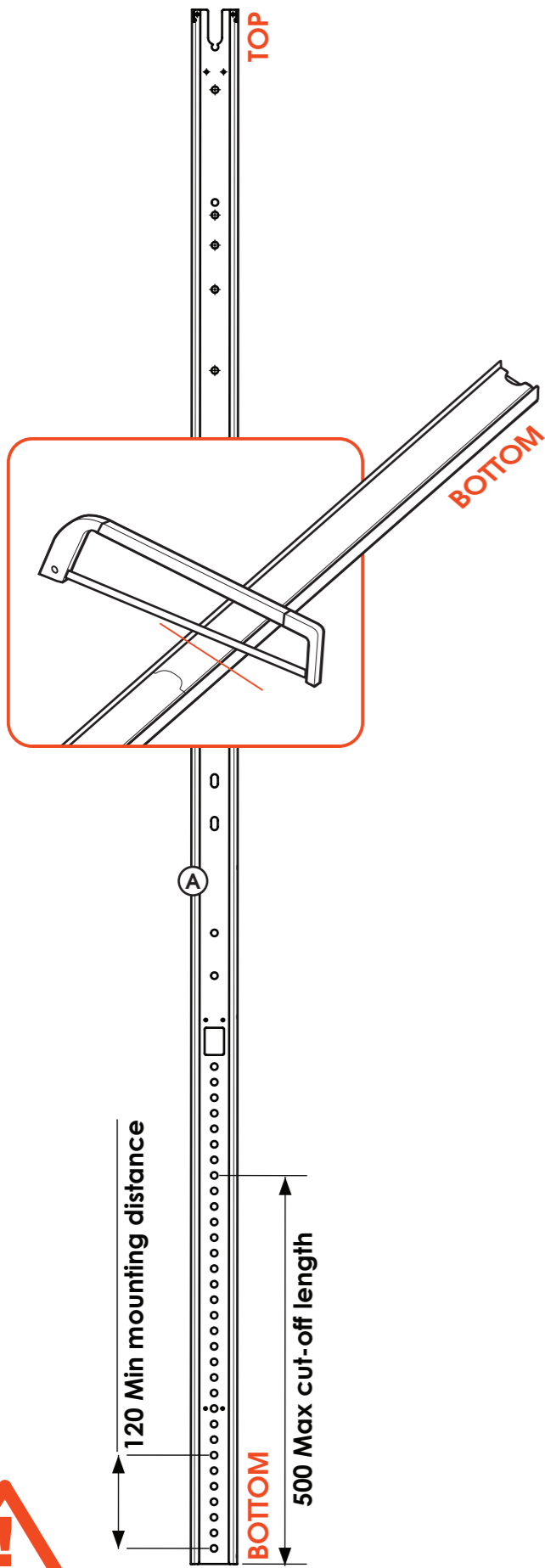
5 IN CASE OF CUTTING THE LENGTH



**CUT INCLUDING MOUNTED CABLE COVER AND OUTER COVER
CUT ONLY AT THE TOP PART OF THE PROFILE
CUT STRAIGHT**

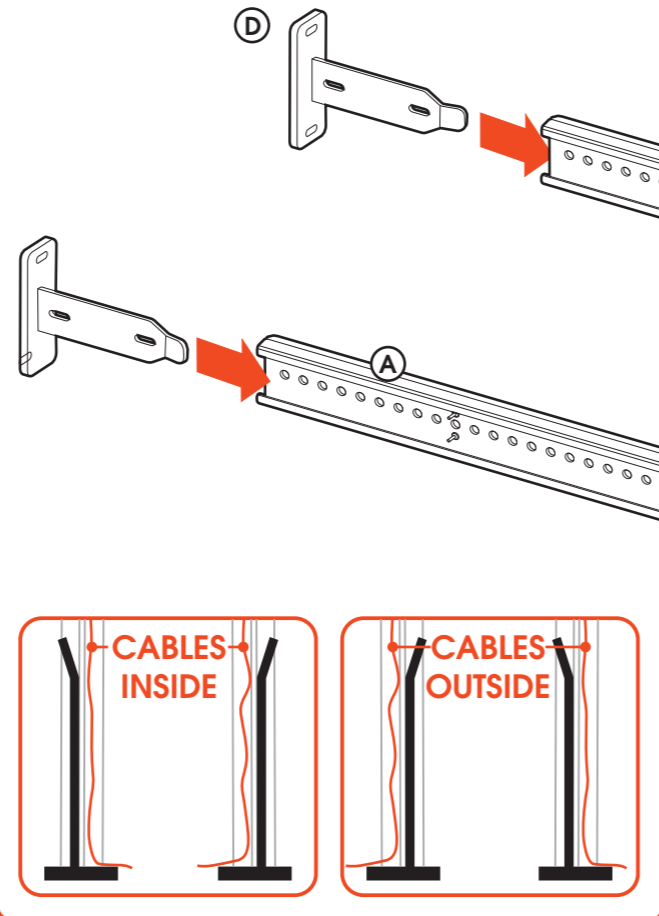


9

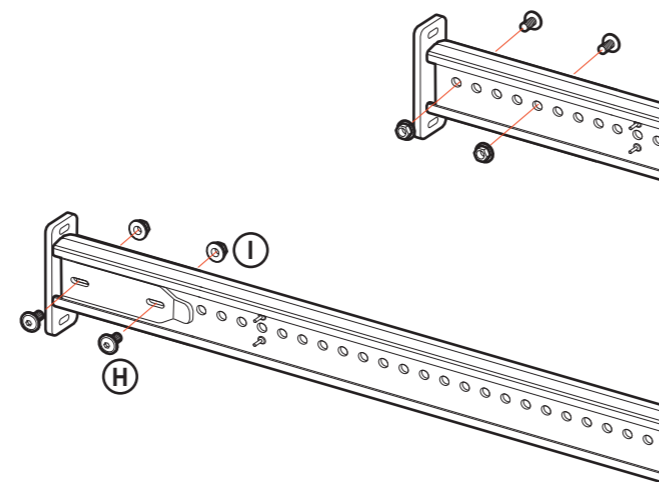


CUT INCLUDING MOUNTED CABLE COVER AND OUTER COVER
CUT ONLY AT THE TOP PART OF THE PROFILE
CUT STRAIGHT

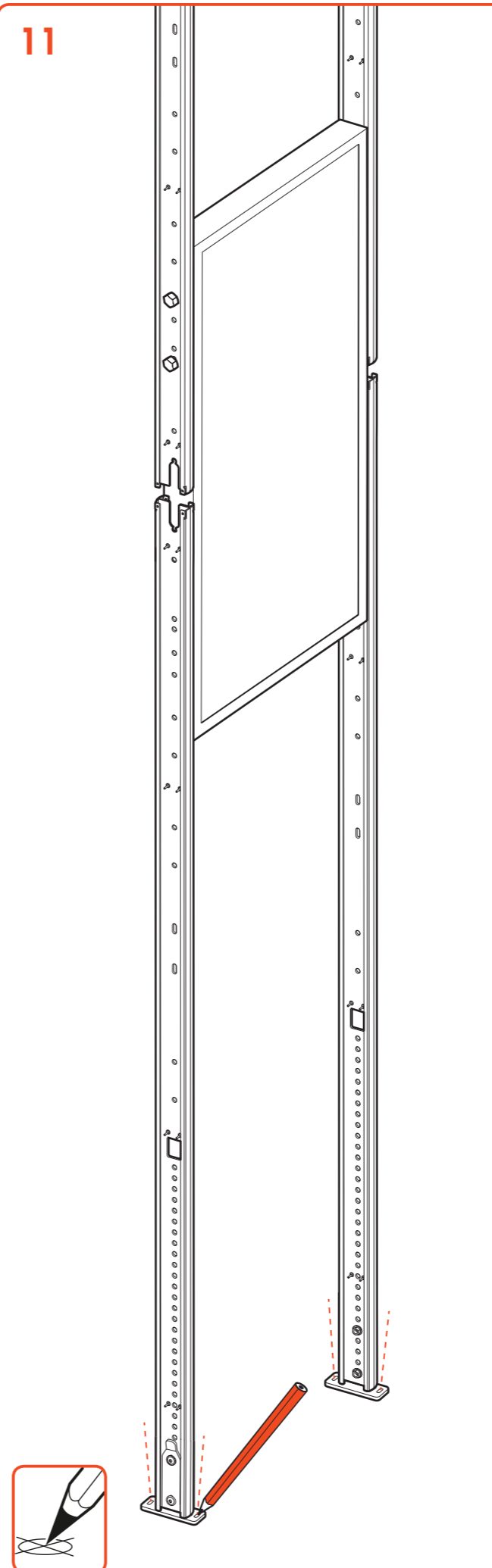
10



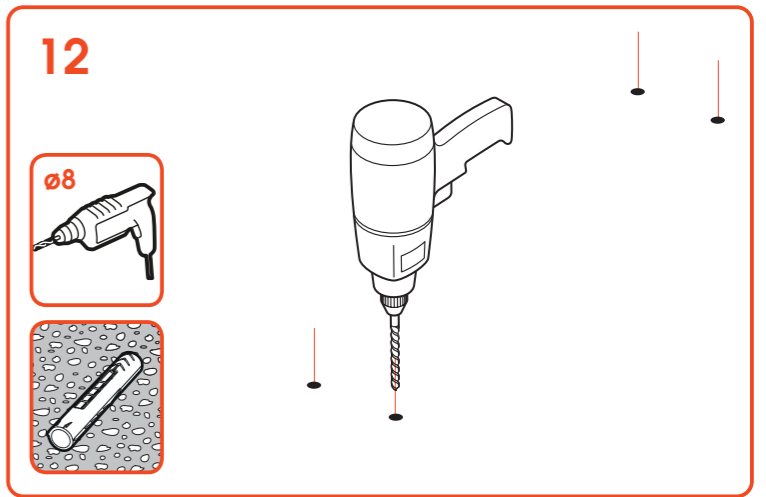
10a



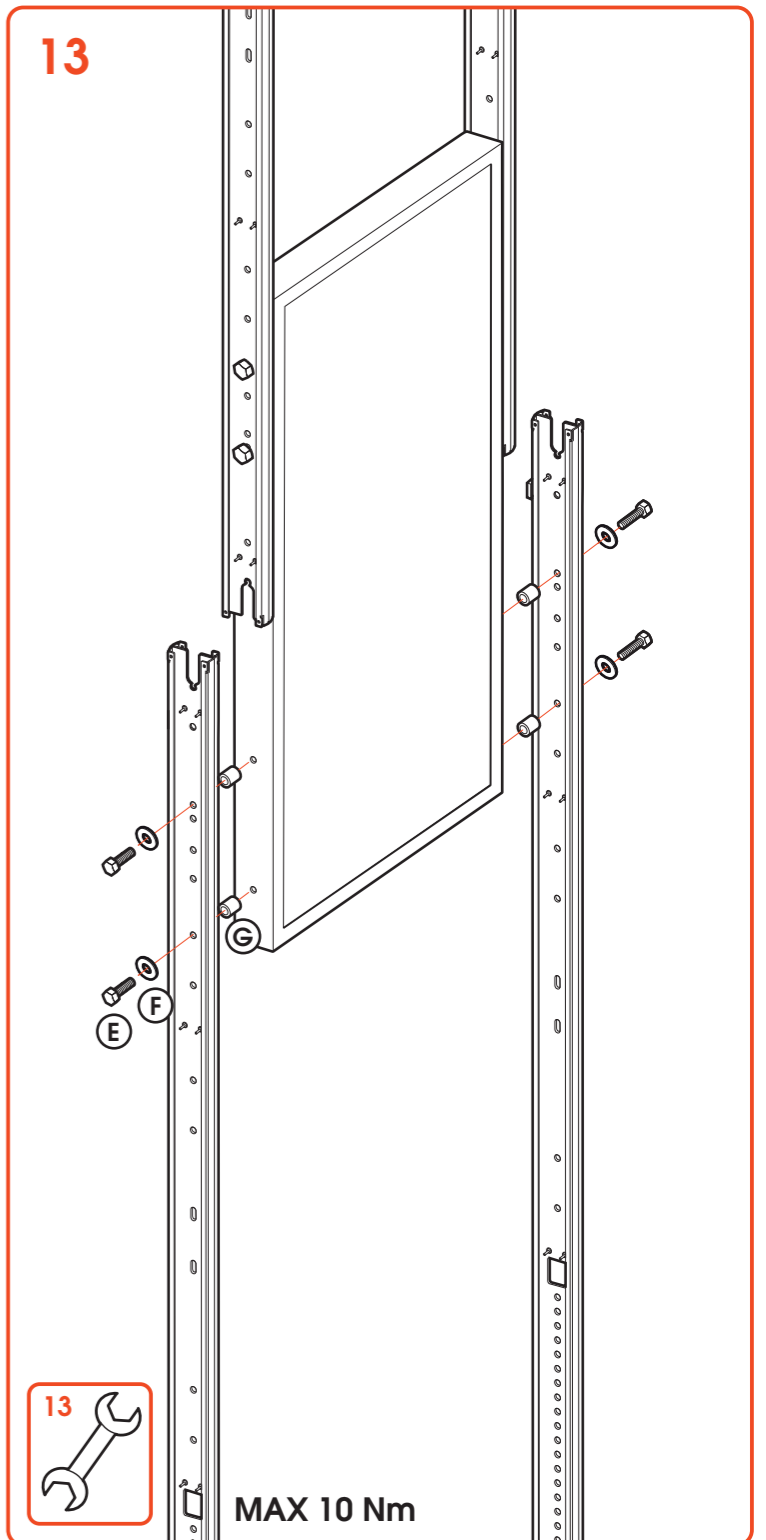
11



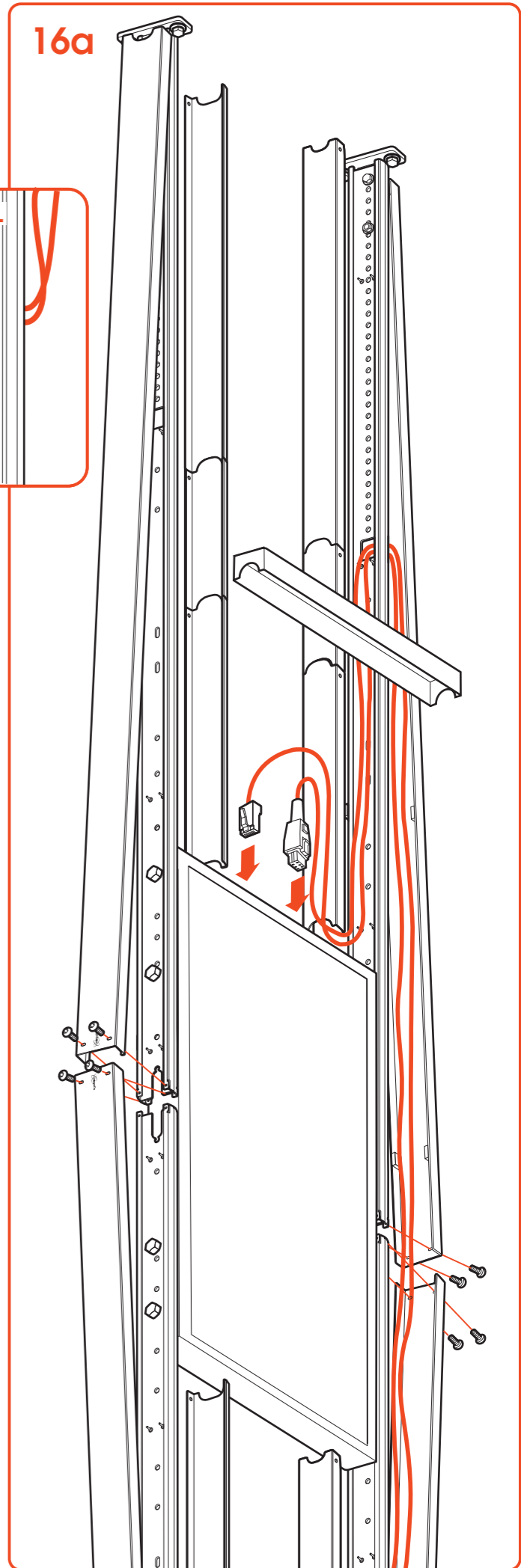
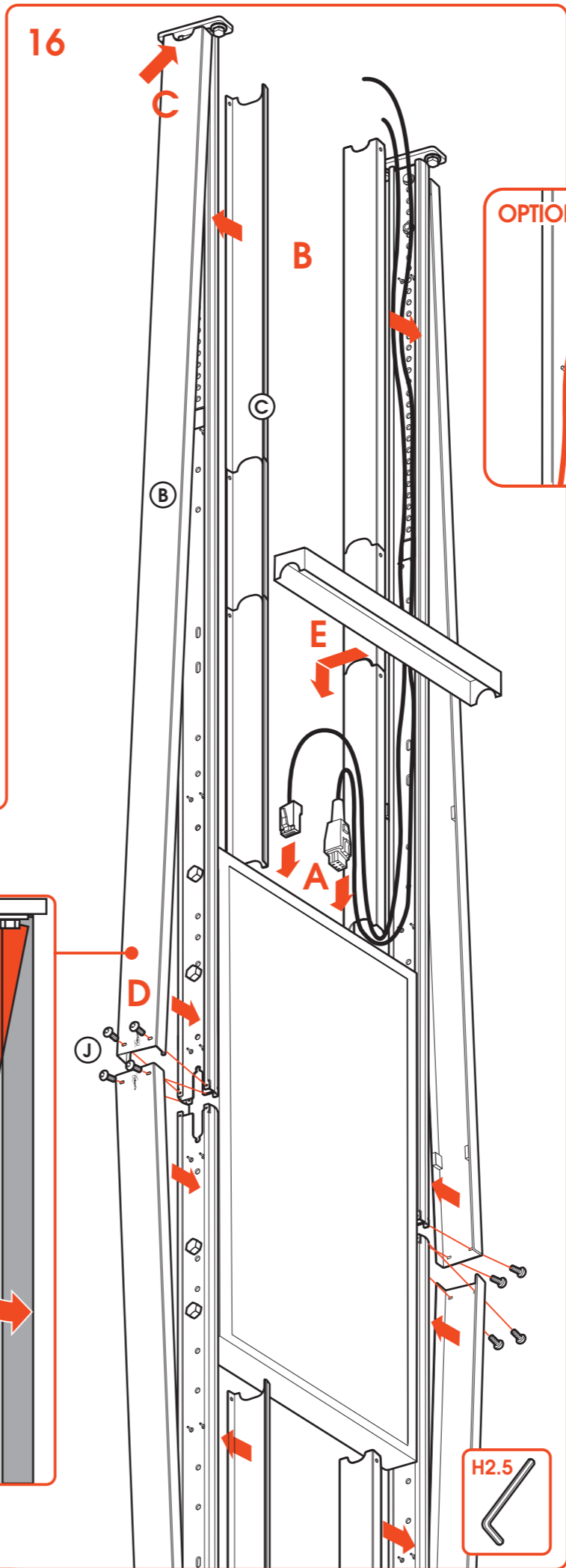
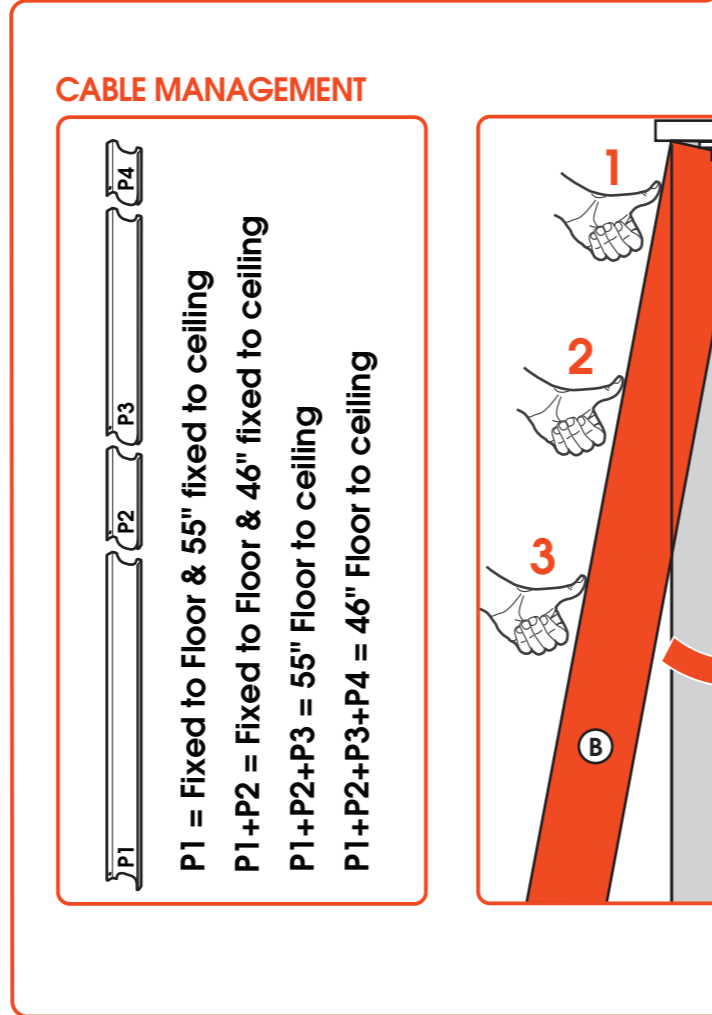
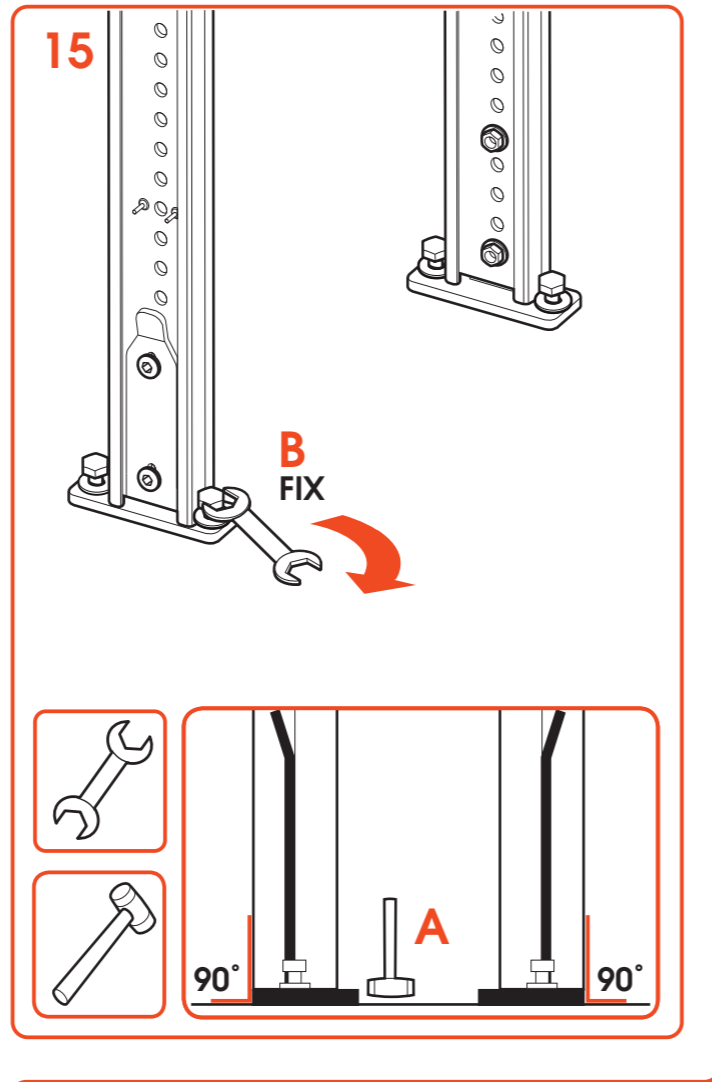
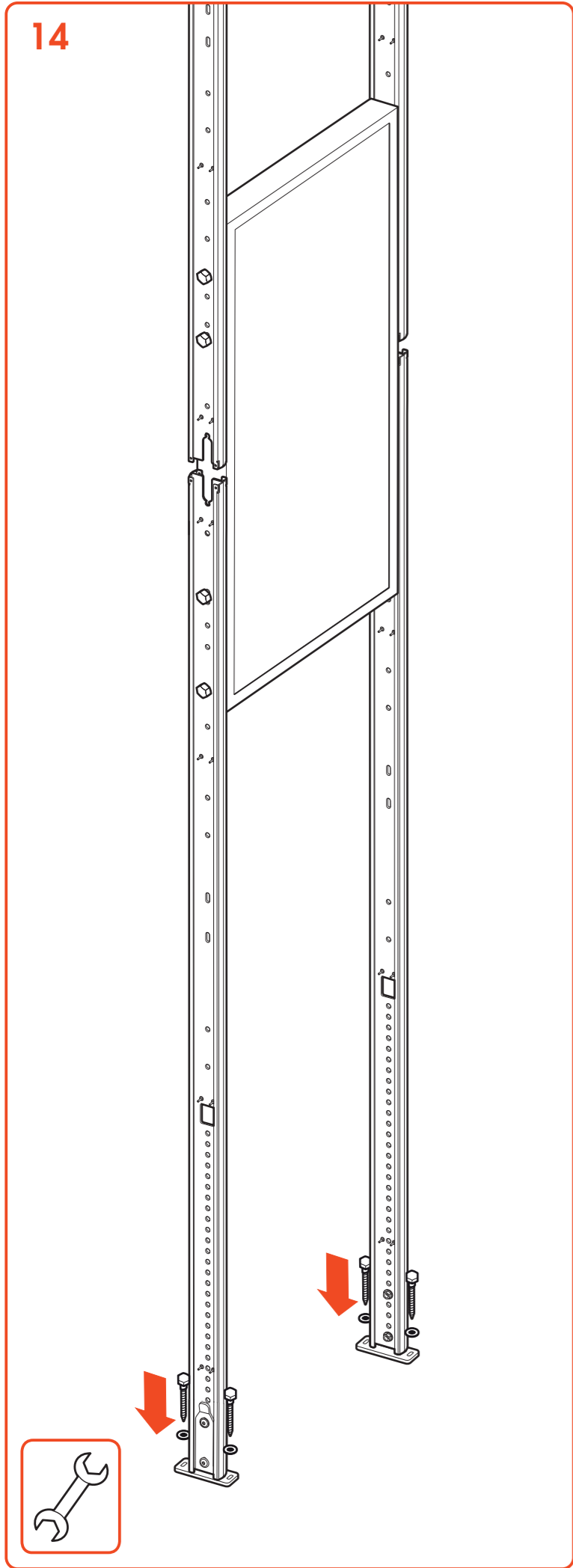
12

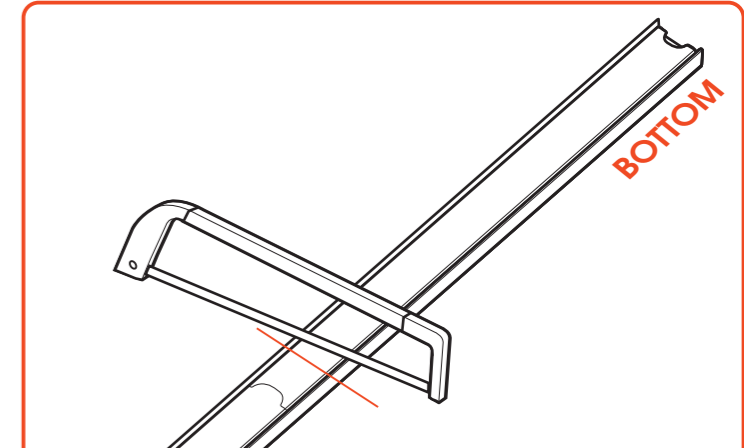
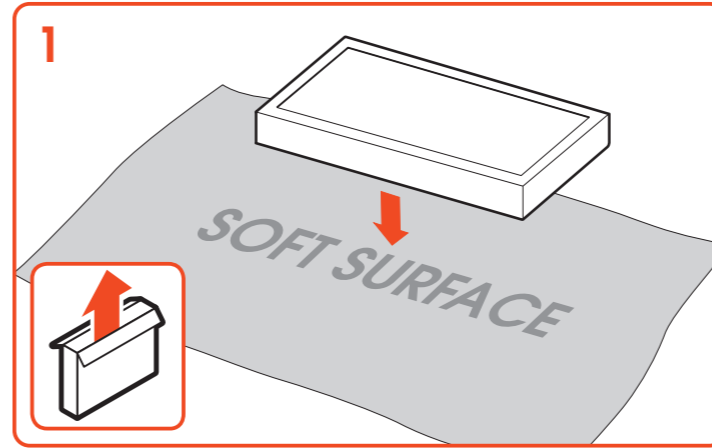
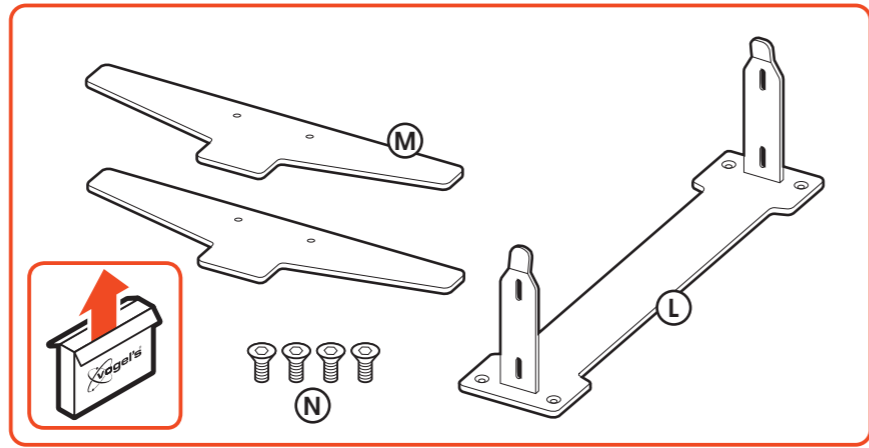
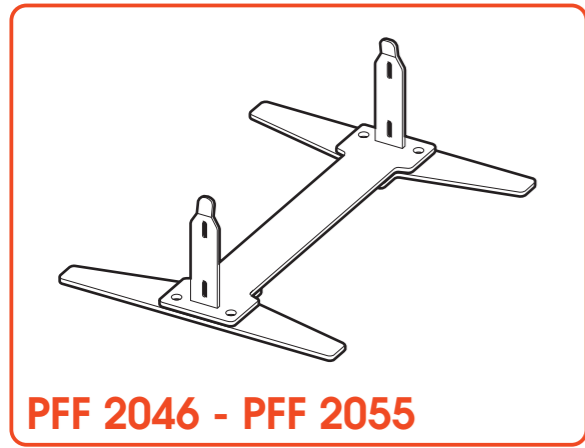


13



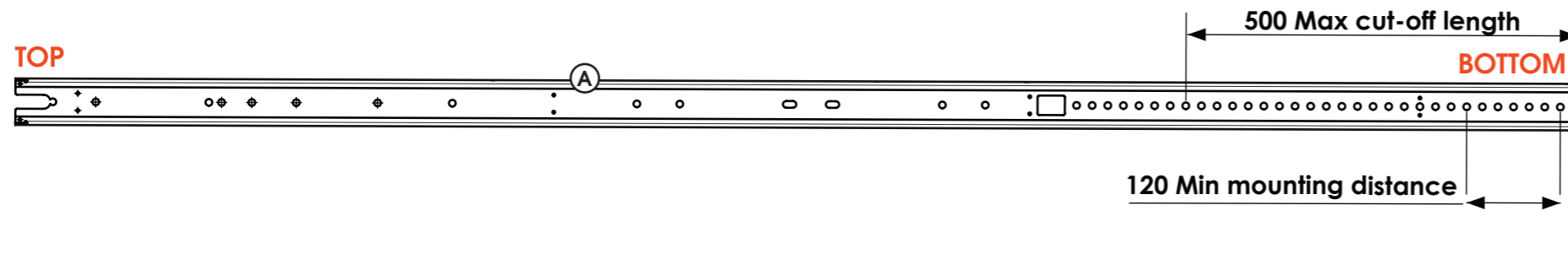
MAX 10 Nm



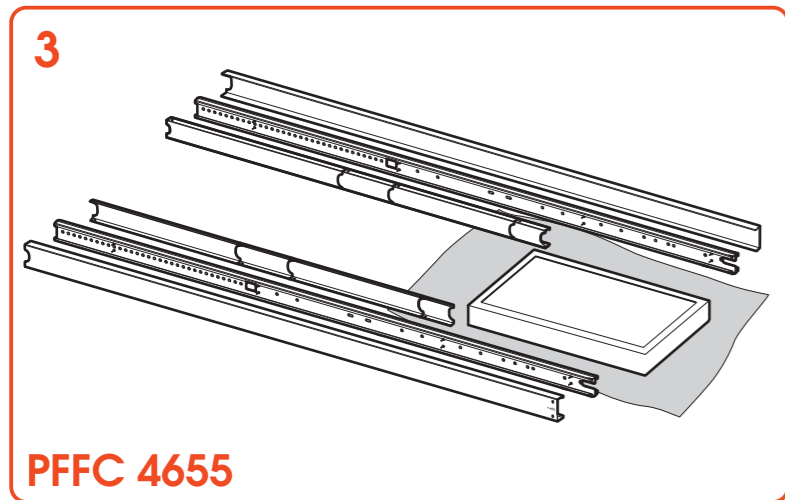


PFF 2046 - PFF 2055

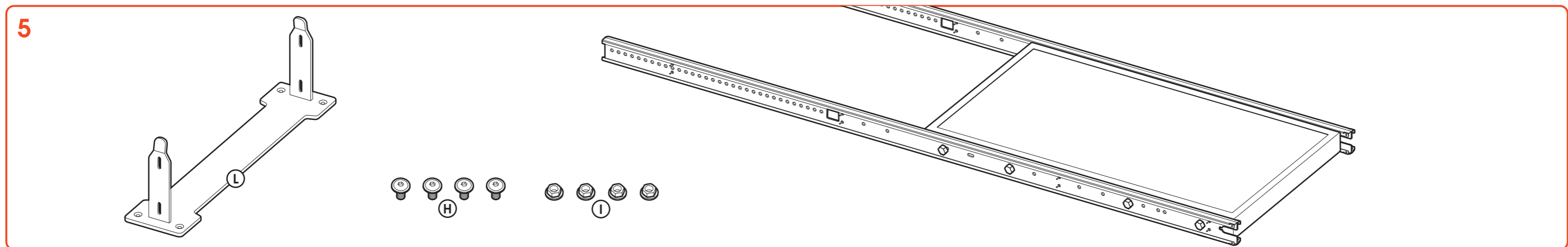
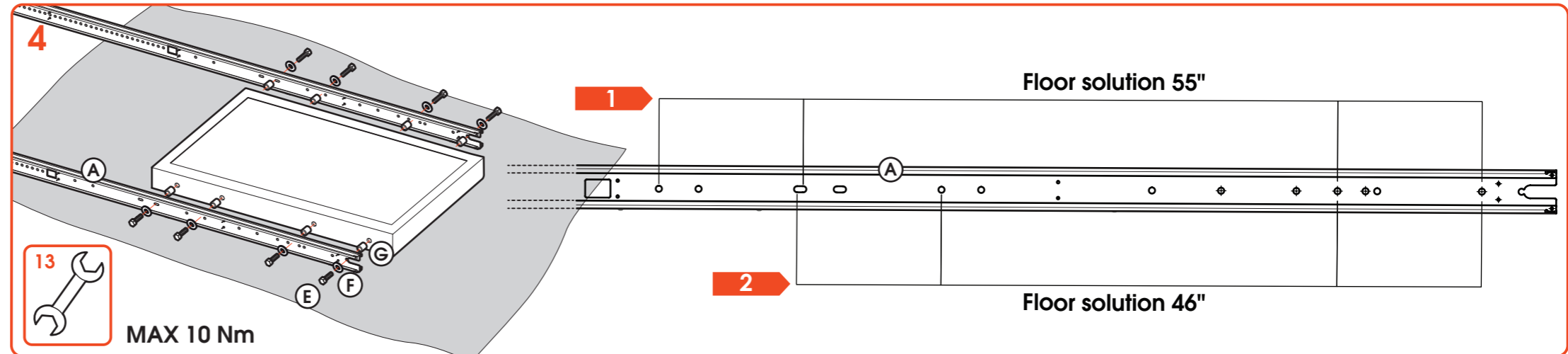
2 IN CASE OF CUTTING THE LENGTH



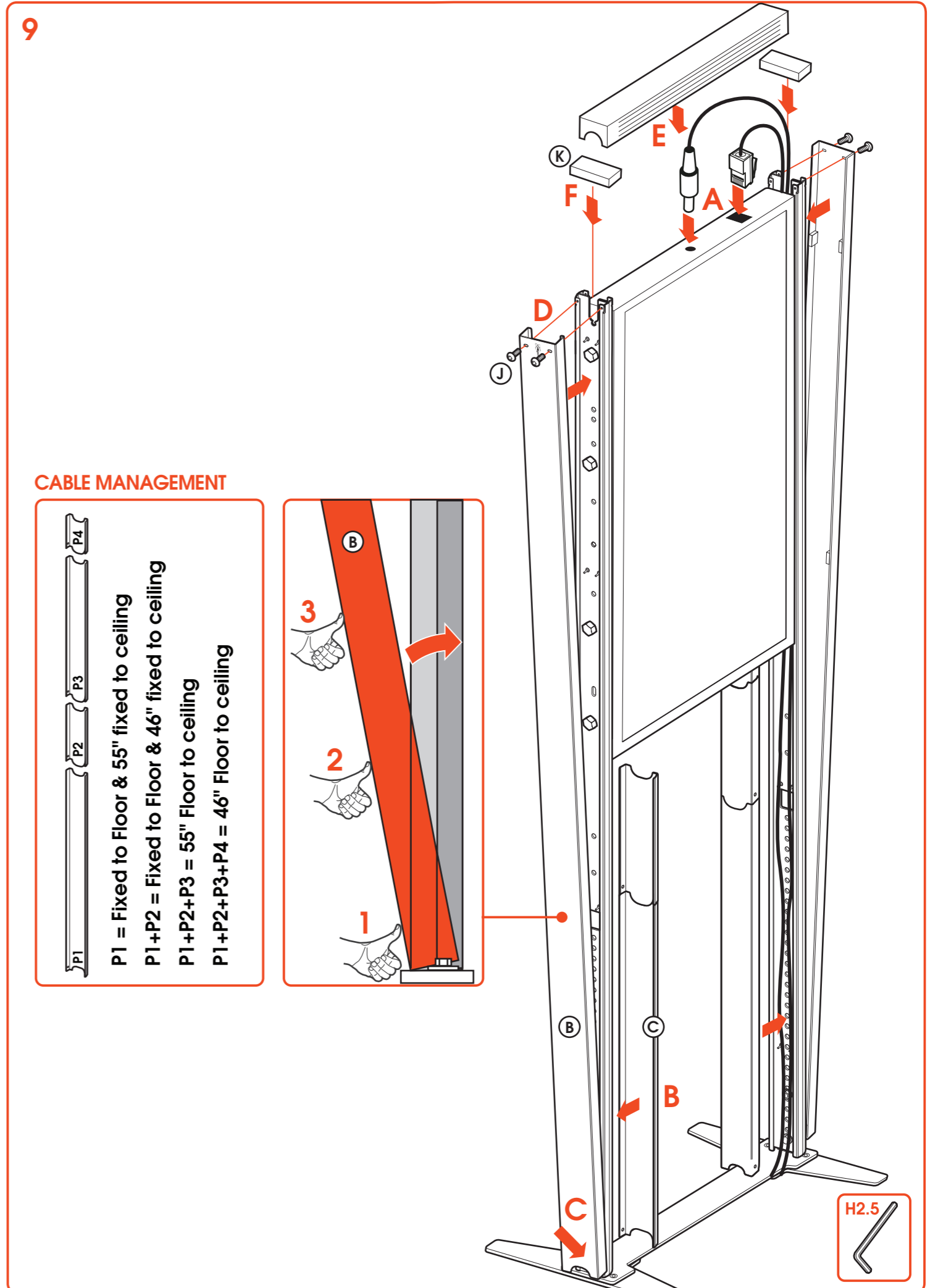
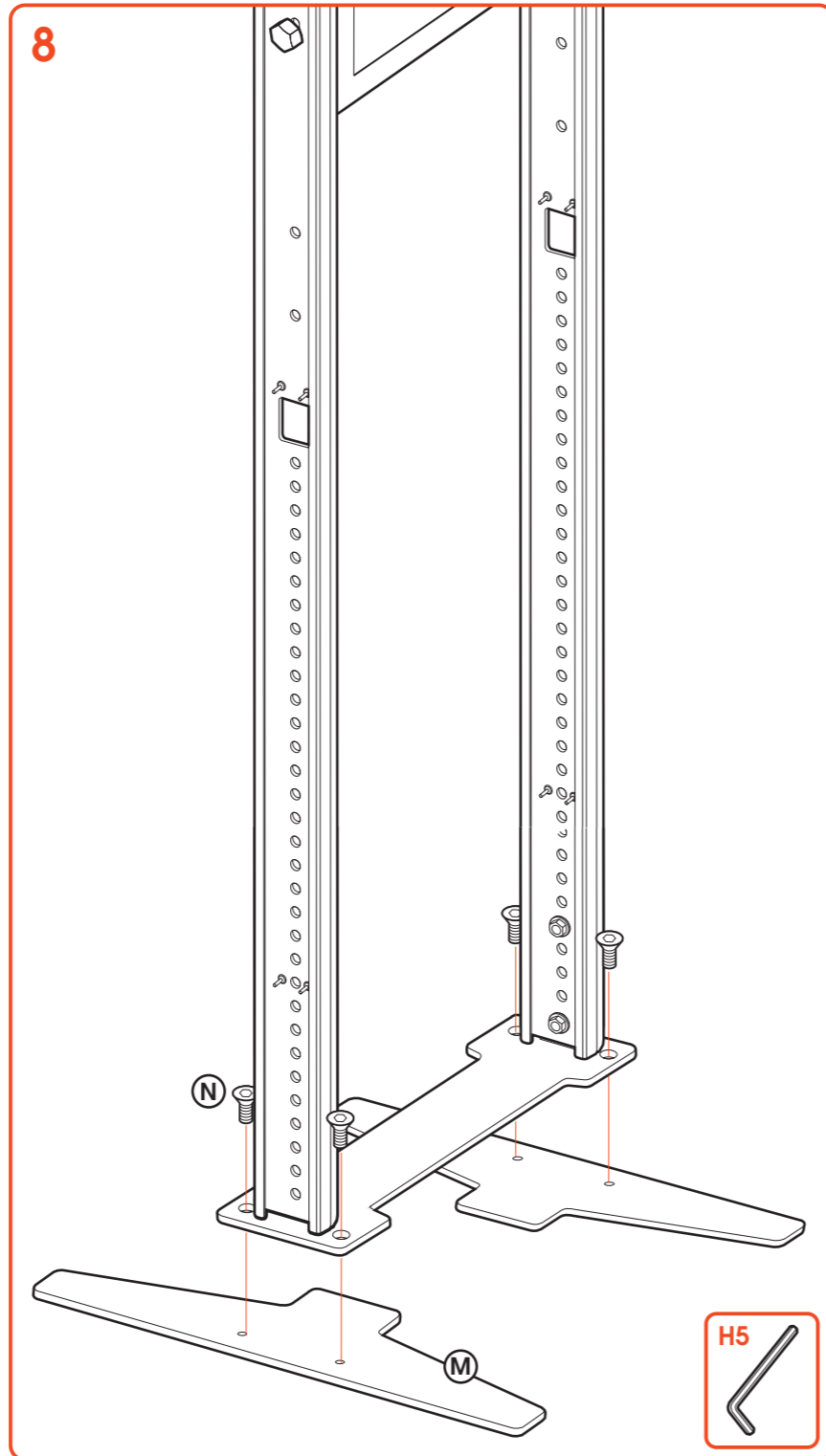
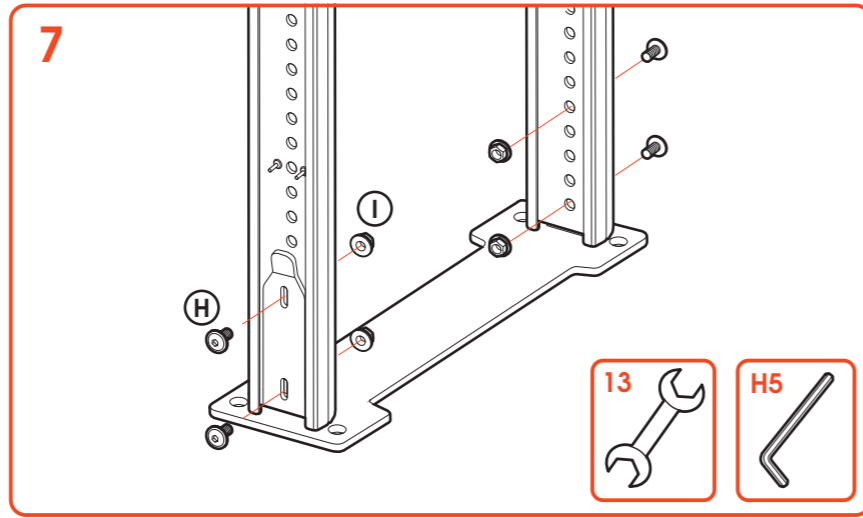
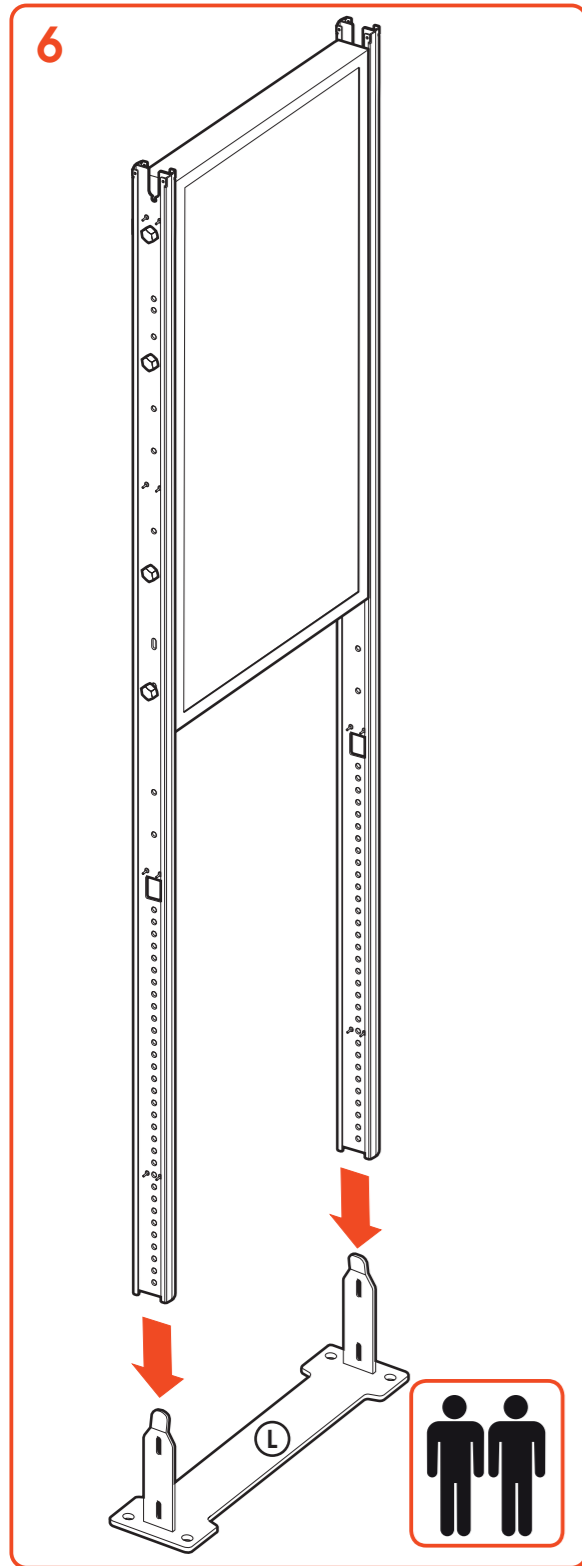
CUT INCLUDING MOUNTED CABLE COVER AND OUTER COVER
CUT ONLY AT THE BOTTOM PART OF THE PROFILE
CUT STRAIGHT



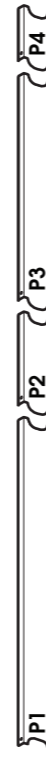

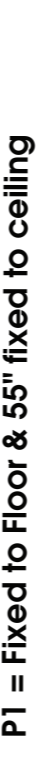

PFFC 4655

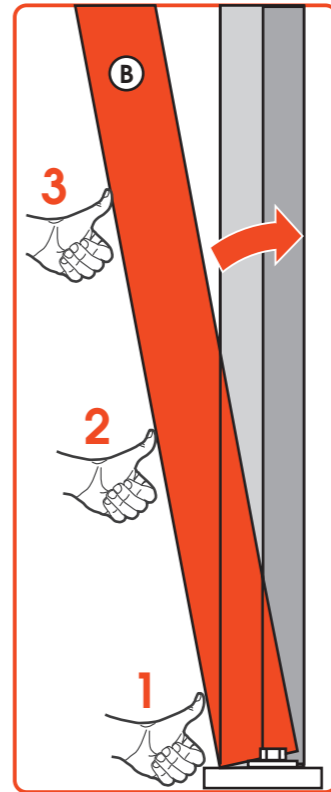


5



CABLE MANAGEMENT

 P1
 P2
 P3
 P4
P1 = Fixed to Floor & 55" fixed to ceiling
P1+P2 = Fixed to Floor & 46" fixed to ceiling
P1+P2+P3 = 55" Floor to ceiling
P1+P2+P3+P4 = 46" Floor to ceiling



(GB) Subject to printing errors and technical amendments.
 (NL) Drukfouten en technische wijzigingen voorbehouden.
 (F) Sous réserve de fautes d'impression et de modifications techniques.
 (D) Für Druckfehler übernehmen wir keine Verantwortung. Technische Änderungen vorbehalten.
 (E) Reservados errores de imprenta y sujeta a modificaciones.
 (I) Con riserva di modifiche tecniche e di eventuali errori di stampa.
 (P) Reserva-se a ocorrência de gralhas e de modificações técnicas.
 (H) Nyomdahibák és technikai változtatások joga fenntartva.
 (PL) Zastrzeżenie się możliwość występowania błędów drukarskich i zmian technicznych.
 (RUS) Возможны ошибки при печати и технические модификации.

Designed and engineered in the Netherlands
 More information on: www.vogels.com

VOGEL'S PRODUCTS BV, HONDSRUGLAAN 93, 5628 DB EINDHOVEN,
 THE NETHERLANDS